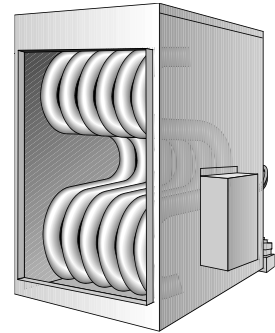
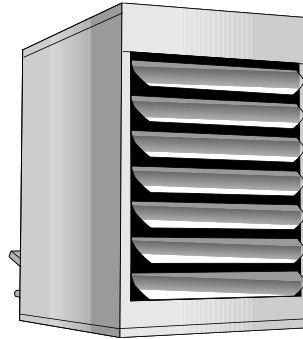
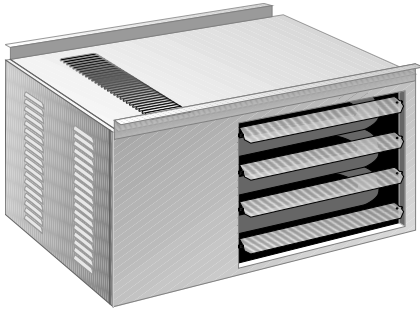


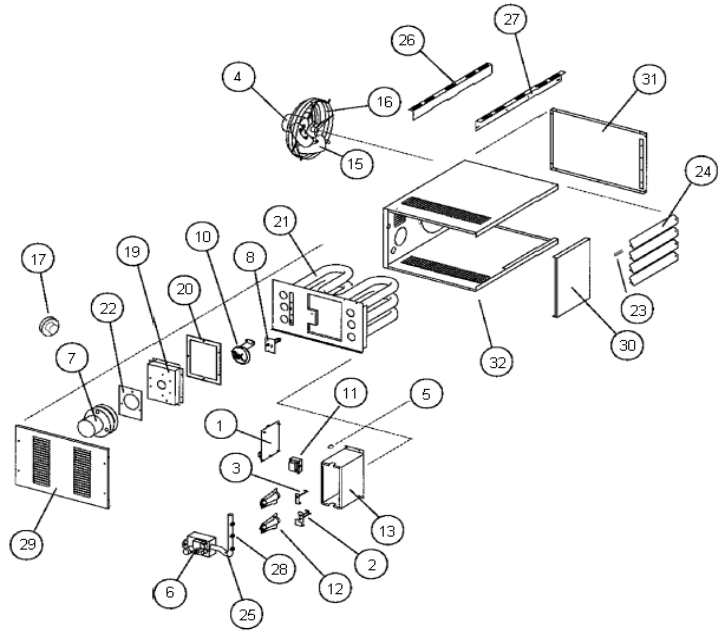
Unit Heater

Accessories & Replacement Parts



Contents	Page
CUH Unit Heater	2
FSA Unit Heater	4
SEP Unit Heater	
SEP 60 – 145	6
SEP 175 – 290	10
SEP 300 – 400	14
HED Duct Furnace	
HED 75 – 150	18
HED 200 – 300	20
FOA Unit Heater	22
Venting	
FOA Venting Guidelines	26
SEP, HED, FSA Venting Guidelines	27
Venting Components (General)	28
Venting Kit Diagrams	29
Fuel Conversion Kits – LP and NG	30
HEP Heat Exchangers	31

CUH



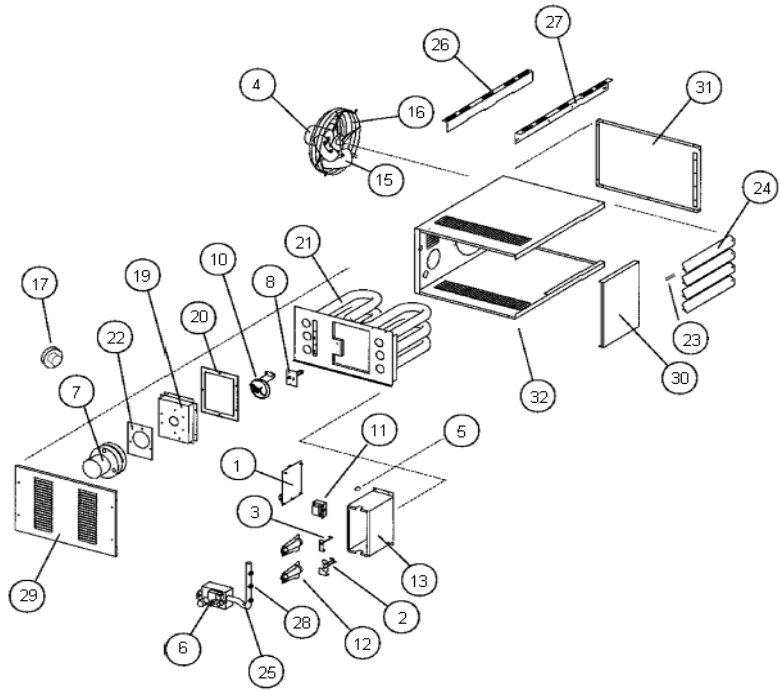
CUH UNIT HEATER

DRAWING NUMBER	DESCRIPTION	PART NUMBER	LIST PRICE	CUH30					CUH45					CUH60		CUH75	
				1	2	3	4	5	1	2	3	4	5	1	2	1	2
1	CONTROL BOARD	76777500	\$ 214	X					X					X		X	
		76722700	\$ 96				X				X			X		X	
2	ELECTRODE/SPARK IGNITOR	76738700	\$ 8	X					X			X		X		X	
		76714900	\$ 8				X				X		X		X		
3	ELECTRODE/FLAME SENSOR	76738800	\$ 7	X					X			X		X		X	
		76715000	\$ 7				X				X		X		X		
4	FAN MOTOR (BLOWER MOTOR)	76791000	\$ 61	X					X								
		76700242	\$ 138											X		X	
5	FLAME ROLLOUT SWITCH	76740200	\$ 14											2		2	
		76739900	\$ 14			X				X							
6	GAS VALVE (LP)	76717500	\$ 56	X					X					X		X	
6	GAS VALVE (NAT)	76714600	\$ 53	X					X					X		X	
Not Shown	IGNITION LEAD (CABLE)	76715100	\$ 12	X					X					X		X	
7	INDUCED DRAFT MOTOR ASSEMBLY (includes motor, housing, & blower wheel)	76739200	\$ 91	X					X					X		X	
8	LIMIT SWITCH	76739700	\$ 8	X					X					X		X	
10	PRESSURE SWITCH	76777300	\$ 27													X	
		76777400	\$ 27	X					X					X			
11	TRANSFORMER	76715500	\$ 14	X					X					X		X	
12	BURNER	76739500	\$ 20	2					3					4		5	
13	BURNER BOX	76773700	\$ 19	X					X								
		76773800	\$ 20											X		X	

CUH UNIT HEATER

DRAWING NUMBER	DESCRIPTION	PART NUMBER	LIST PRICE	CUH30					CUH45					CUH60		CUH75	
				1	2	3	4	5	1	2	3	4	5	1	2	1	2
15	FAN BLADE	76739100	\$ 46						X								
		76739600	\$ 70		X												
		76740000	\$ 35										X				
		76712000	\$ 35													X	
16	FAN GUARD	76739000	\$ 20		X				X								
		76740100	\$ 27									X			X		
17	FLUE ADAPTER	76737800	\$ 12									X			X		
		76735000	\$ 18		X				X								
19	FLUE BOX	76740400	\$ 51		X				X								
		76741200	\$ 16									X					
		76741900	\$ 16												X		
20	FLUE BOX GASKET	76739300	\$ 15		X				X								
		76740300	\$ 14									X			X		
21	HEAT EXCHANGER	76700314	\$ 82		X												
		76781500	\$ 101						X								
		76784000	\$ 134										X				
		76768700	\$ 144												X		
22	INDUCED DRAFT GASKET	76708800	\$ 12		X				X			X		X			
23	LOUVER SPRING	76713500	\$ 6		4				4			6		6			
24	LOUVER VANE (BEIGE)	76741100	\$ 18		4				4			6		6			
25	MANIFOLD * For these models, you also need to order tapered thread orifices. (All new manifolds have tapered threads and will not fit with older orifices having straight threads).	76773900	\$ 15		X*		X										
		76774000	\$ 15						X*		X						
		76774100	\$ 16									X*		X			
		76774200	\$ 16												X*	X	
26	MOUNTING BRACKET, BACK	76750900	\$ 23		X				X			X		X			
		76750800	\$ 15		X				X			X		X			
28	ORIFICE (LP)	Straight thread	76717200	\$ 9		2			3			4		5			
		Tapered thread	76724000	\$ 9				2			3		4		5		
28	ORIFICE (NAT)	Straight thread	76712200	\$ 9		2			3			4		5			
		Tapered thread	76723700	\$ 9				2			3		4		5		
29	PANEL, ACCESS	76740500	\$ 61		X				X								
		76758900	\$ 61									X		X			
30	PANEL, FRONT	76750700	\$ 52		X				X								
		76758800	\$ 59									X		X			
31	PANEL, SIDE	76750600	\$ 69		X				X								
		76758100	\$ 66									X		X			
32	WRAPPER, CABINET	76750400	\$ 61		X				X								
		76758700	\$ 114									X		X			

FSA



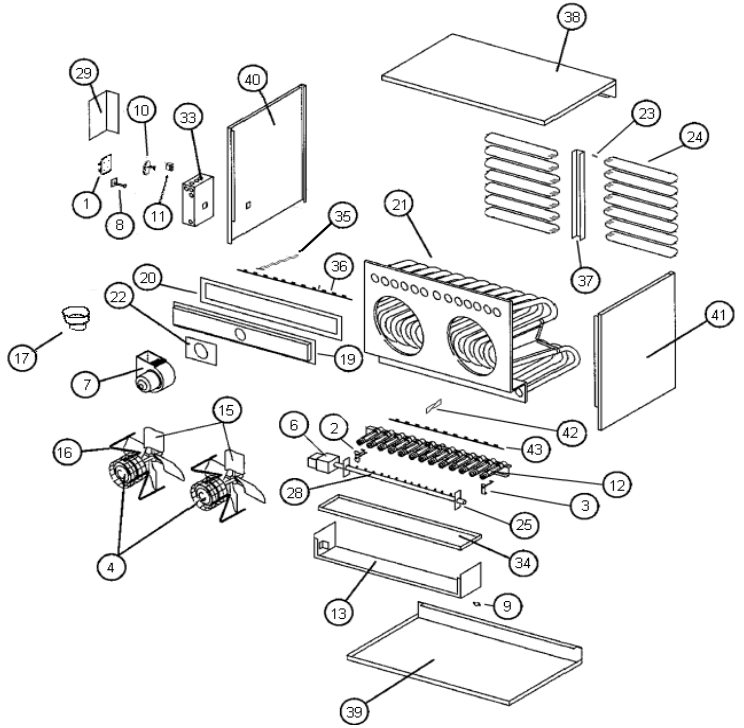
FSA UNIT HEATER

DRAWING NUMBER	DESCRIPTION	PART NUMBER	LIST PRICE	FSA30	FSA45	FSA60	FSA75
1	CONTROL BOARD						
		76722700	\$ 96			X	
2	ELECTRODE/SPARK IGNITER						
		76714900	\$ 8			X	
3	ELECTRODE/FLAME SENSOR						
		76715000	\$ 7			X	
4	FAN MOTOR (BLOWER MOTOR)						
		76791000	\$ 61	X	X		
		76700242	\$ 138			X	X
5	FLAME ROLLOUT SWITCH						
		76740200	\$ 14			2	2
		76739900	\$ 14	X	X		
6	GAS VALVE (LP)						
		76717500	\$ 56			X	
6	GAS VALVE (NAT)						
		76714600	\$ 53			X	
Not Shown	IGNITION LEAD						
		76715100	\$ 12			X	
7	INDUCED DRAFT MOTOR ASSEMBLY (includes motor, housing, & blower wheel)						
		76739200	\$ 91			X	
8	LIMIT SWITCH						
		76739700	\$ 8			X	
10	PRESSURE SWITCH						
		76777300	\$ 27				X
		76777400	\$ 27	X	X	X	
11	TRANSFORMER						
		76715500	\$ 14			X	
12	BURNER						
		76739500	\$ 20	2	3	4	5
13	BURNER BOX						
		76773700	\$ 19	X	X		
		76773800	\$ 20			X	X

FSA UNIT HEATER

DRAWING NUMBER	DESCRIPTION	PART NUMBER	LIST PRICE	FSA30	FSA45	FSA60	FSA75
15	FAN BLADE						
		76739100	\$ 46		X		
		76739600	\$ 70	X			
		76740000	\$ 35			X	
		76712000	\$ 35				X
16	FAN GUARD						
		76739000	\$ 20	X	X		
		76740100	\$ 27			X	X
17	FLUE ADAPTER						
		76737800	\$ 12			X	X
		76735000	\$ 18	X	X		
19	FLUE BOX						
		76740400	\$ 51	X	X		
		76741200	\$ 16			X	
		76741900	\$ 16				X
20	FLUE BOX GASKET						
		76739300	\$ 15	X	X		
		76740300	\$ 14			X	X
21	HEAT EXCHANGER						
		76700314	\$ 82	X			
		76781500	\$ 101		X		
		76784000	\$ 134			X	
		76768700	\$ 144				X
22	INDUCED DRAFT GASKET						
		76708800	\$ 12	X	X	X	X
23	LOUVER SPRING						
		76713500	\$ 6	4	4	6	6
24	LOUVER VANE (BEIGE)						
		76741100	\$ 18	4	4	6	6
25	MANIFOLD						
		76773900	\$ 15	X			
		76774000	\$ 15		X		
		76774100	\$ 16			X	
		76774200	\$ 16				X
26	MOUNTING BRACKET, BACK						
		76750900	\$ 23			X	
27	MOUNTING BRACKET, FRONT						
		76750800	\$ 15			X	
28	ORIFICE (LP)						
		76724000	\$ 9	2	3	4	5
28	ORIFICE (NAT)						
		76723700	\$ 9	2	3	4	5
29	PANEL, ACCESS						
		76740500	\$ 61	X	X		
		76758900	\$ 61			X	X
30	PANEL, FRONT						
		76750700	\$ 52	X	X		
		76758800	\$ 59			X	X
31	PANEL, SIDE						
		76750600	\$ 69	X	X		
		76758100	\$ 66			X	X
32	WRAPPER, CABINET						
		76750400	\$ 61	X	X		
		76758700	\$ 114			X	X
Not Shown	FLAME SENSOR WIRE						
		76738500	\$ 7			X	

SEP



SEP UNIT HEATER

SEP 60 - 145

DRAWING NUMBER	DESCRIPTION	PART NUMBER	LIST PRICE	SEP 60					SEP 90					SEP 100					SEP 115					SEP 145				
				1	2	3	4	5	1	2	3	4	5	1	2	3	4	5	1	2	3	4	5	1	2	3	4	5
	ALUMINIZED STEEL HEAT EXCHANGER			1	2	3	4	5	1	2	3	4	5						1	2	3	4	5	1	2	3	4	5
	STAINLESS STEEL HEAT EXCHANGER						0	1				0	1									0	1				0	1
1	CONTROL BOARD																											
		10000240	\$ 156	X					X										X					X				
		76777500	\$ 214		X					X										X						X		
		76722700	\$ 96				X				X		X								X						X	
2	ELECTRODE/SPARK IGNITER																											
		76714900	\$ 8		X					X										X							X	
3	ELECTRODE/FLAME SENSOR																											
		76715000	\$ 7		X					X										X							X	
4	FAN MOTOR (BLOWER MOTOR)																											
		76714500	\$ 155		X					X										X							X	
6	GAS VALVE (LP)																											
		76717500	\$ 56		X					X										X							X	
		76717600	\$ 191																									
6	GAS VALVE (NAT)																											
		76714600	\$ 53		X					X										X							X	
		76714800	\$ 111																									
7	INDUCED DRAFT MOTOR ASSEMBLY (includes motor, housing, & blower wheel)																											
		76746100	\$ 95	X					X										X					X				
		76714300	\$ 122																									
		76738400	\$ 159																									
		76714200	\$ 89			X					X		X								X					X		
8	LIMIT SWITCH																											
		76716600	\$ 16																									
		76716400	\$ 16		X					X			X							X							X	
		76716700	\$ 16																									
		76716500	\$ 16																									
9	AUXILIARY LIMIT																											
		76717100	\$ 14																									

SEP UNIT HEATER

SEP 60 - 145

DRAWING NUMBER	DESCRIPTION	PART NUMBER	LIST PRICE	SEP 60					SEP 90					SEP 100					SEP 115					SEP 145									
				1	2	3	4	5	1	2	3	4	5	1	2	3	4	5	1	2	3	4	5	1	2	3	4	5					
	ALUMINIZED STEEL HEAT EXCHANGER			1	2	3	4	5	1	2	3	4	5											1	2	3	4	5	1	2	3	4	5
	STAINLESS STEEL HEAT EXCHANGER						0	1				0	1									0	1									0	1
10	PRESSURE SWITCH																																
		76776900	\$ 27																														
		76777000	\$ 27																														
		76777100	\$ 27							X								X															
		76777200	\$ 27																														X
		76777300	\$ 27				X					X						X									X						
11	TRANSFORMER																																
		76715500	\$ 14			X					X					X					X					X					X		
12	BURNER																																
		76711200	\$ 25			4					6																						
		76711300	\$ 17														4				4										5		
15	FAN BLADE																																
		76710700	\$ 72			X					X																						
		76776400	\$ 66														X				X										X		
16	FAN MOTOR MOUNT / GUARD																																
		76711000	\$ 23			X					X																						
		76711100	\$ 17														X				X										X		
17	FLUE ADAPTER																																
		76708400	\$ 29			X																											
		76708500	\$ 28								X					X					X										X		
		76708600	\$ 37																														
		76708700	\$ 41																														
19	FLUE BOX																																
		76709100	\$ 52			X					X																						
		76709000	\$ 52				X																										
		76718900	\$ 56								X																						
		76709200	\$ 56																		X												
		76719100	\$ 56																				X										
		76709300	\$ 65																								X						
		76721300	\$ 82																														
		76709400	\$ 60																														
		76709500	\$ 53																														
		76736600	\$ 66																														
		76709600	\$ 66																														
		76736700	\$ 66																														
		76709700	\$ 38																														
		76709800	\$ 66																														
		76709900	\$ 72																														
20	FLUE BOX GASKET																																
		76710000	\$ 16			X					X																						
		76710100	\$ 14														X				X										X		
		76710200	\$ 15																														
		76710300	\$ 17																														
22	INDUCED DRAFT MOTOR GASKET																																
		76708800	\$ 12			X					X					X					X										X		
		76708900	\$ 20																														

SEP UNIT HEATER

SEP 60 - 145

DRAWING NUMBER	DESCRIPTION	PART NUMBER	LIST PRICE	SEP 60					SEP 90					SEP 100	SEP 115					SEP 145				
				1	2	3	4	5	1	2	3	4	5		1	2	3	4	5	1	2	3	4	5
	ALUMINIZED STEEL HEAT EXCHANGER																							
	STAINLESS STEEL HEAT EXCHANGER						0	1				0	1					0	1				0	1

21	HEAT EXCHANGER (ALUMINIZED)																						
	76707300	\$ 177				X																	
	76707400	n/a							n/a														
	76707500	\$ 266											X			X							
	76707600	\$ 289																			X		
	76707700	\$ 334																					
	76707800	\$ 475																					
	76707900	\$ 555																					
	76708000	\$ 640																					

21	HEAT EXCHANGER (STAINLESS)																						
	76711400	\$ 287				X																	
	76711500	n/a								n/a													
	76711600	\$ 438										X				X							
	76711700	\$ 514																				X	
	76708100	\$ 499																					
	76708200	\$ 850																					
	76711900	\$ 816																					
	76708300	\$ 955																					

23	LOUVER SPRING																						
	76713500	\$ 6				7				7		7		7		7		7		7		7	

24	LOUVER VANE, BEIGE																						
	76713100	\$ 57				7				7													
	76713200	\$ 12										7				7						7	
	76713300	\$ 12																					
	76713400	\$ 45																					

25	MANIFOLD																						
	* For these models, you also need to order tapered thread orifices. (All new manifolds have tapered threads and will not fit with older orifices having straight threads).	76724800	\$ 20			X*		X															
		76724700	\$ 20						X*		X												
		76724400	\$ 17									X			X*		X						
		76724500	\$ 17																		X*		X
		76724600	\$ 17																				
		76724100	\$ 25																				
		76724200	\$ 25																				
		76724300	\$ 25																				

28	ORIFICE (NAT)																						
	Straight thread	76712300	\$ 9													4				5			
	Tapered thread	76723000	\$ 9															4					5
	Straight thread	76712200	\$ 9			4				6													
	Tapered thread	76723700	\$ 9					4				6											
	Straight thread	76712400	\$ 9																				
	Tapered thread	76723400	\$ 9										4										
	Tapered thread	76723600	\$ 9																				

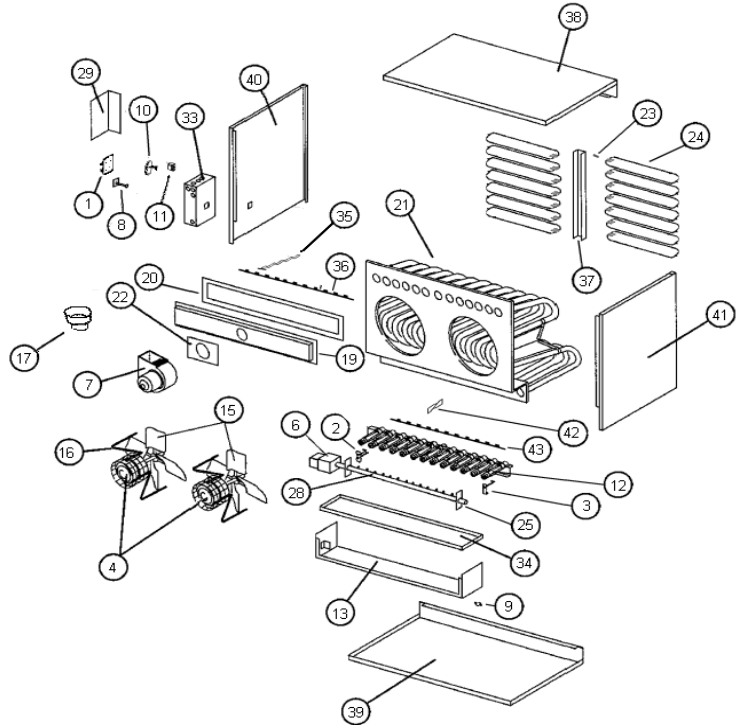
28	ORIFICE (LP)																						
	Straight thread	76717200	\$ 9			4				6													
	Tapered thread	76724000	\$ 9					4				6											
	Tapered thread	76723500	\$ 9											4									
	Straight thread	76717300	\$ 9												4					5			
	Tapered thread	76723100	\$ 9														4						5
	Straight thread	76717400	\$ 9																				
	Tapered thread	76723300	\$ 9																				

SEP UNIT HEATER

SEP 60 - 145

DRAWING NUMBER	DESCRIPTION	PART NUMBER	LIST PRICE	SEP 60					SEP 90					SEP 100					SEP 115					SEP 145									
				1	2	3	4	5	1	2	3	4	5	1	2	3	4	5	1	2	3	4	5	1	2	3	4	5					
	ALUMINIZED STEEL HEAT EXCHANGER			1	2	3	4	5	1	2	3	4	5											1	2	3	4	5	1	2	3	4	5
	STAINLESS STEEL HEAT EXCHANGER						0	1				0	1														0	1				0	1
29	CONTROL BOX COVER	76712600	\$ 20			X					X					X					X					X					X		
33	CONTROL BOX	76712500	\$ 24			X					X					X					X					X					X		
34	DRIP SHIELD	76712700	\$ 48			X					X																						
		76712800	\$ 54													X					X										X		
		76712900	\$ 51																														
		76713000	\$ 53																														
35	FLUE BAFFLE	76710400	\$ 19													4					4										5		
36	FLUE BAFFLE BRACKET	76710500	\$ 3													X					X										X		
		76710600	\$ 3																														
37	LOUVER BRACKET	76714100	\$ 21																														
38	PANEL, TOP	76701000	\$ 83					X																									
		76700900	\$ 61													X							X										
		76701100	\$ 65																														
		76700800	\$ 87																														
39	PANEL, BOTTOM	76701500	\$ 83					X																									
		76701300	\$ 89													X					X										X		
		76701400	\$ 57																														
		76701200	\$ 111																														
40	PANEL, LEFT SIDE (viewed from rear)	76701900	\$ 91			X					X																						
		76702100	\$ 101													X					X										X		
		76702000	\$ 102																														
41	PANEL, RIGHT SIDE (viewed from rear)	76701600	\$ 90			X					X																						
		76701800	\$ 108													X					X										X		
		76701700	\$ 112																														
42	TURBULATOR FOR NOX	76717800	\$ 23													4					4										5		
43	TURBULATOR RETAINER	76717900	\$ 47													X					X										X		
Not Shown	FAN TIMER	100002477	\$ 86	X					X										X					X					X				
Not Shown	GAS PRESSURE SWITCH	76717700	\$ 39			X					X					X					X										X		
Not Shown	IGNITION WIRE	100000546	\$ 54	X							X										X			X					X				
		76715100	\$ 12			X						X				X						X									X		
		76715200	\$ 13																														
Not Shown	FLAME SENSOR WIRE	100000547	\$ 19	X							X										X								X				
		100000548	\$ 16																														
		76738500	\$ 7				X					X	X									X										X	
		76738600	\$ 8																														
Not Shown	WIRING HARNESS	76716900	\$ 9			X					X										X										X		
		76722900	\$ 21				X					X	X									X										X	
		76717000	\$ 112																														
		76722800	\$ 20																														

SEP



SEP UNIT HEATER

SEP 175 - 290

DRAWING NUMBER	DESCRIPTION	PART NUMBER	LIST PRICE	SEP 175					SEP 200			SEP 230					SEP 250		SEP 290				
				1	2	3	4	5	1	2	3	1	2	3	4	5			1	2	3	4	5
	ALUMINIZED STEEL HEAT EXCHANGER			1	2	3	4	5	1	2	3	1	2	3	4	5			1	2	3	4	5
	STAINLESS STEEL HEAT EXCHANGER						0	1	1	2	3				0	1						0	1
1	CONTROL BOARD																						
		10000240	\$ 156		X							X						X					
		76777500	\$ 214			X			X				X								X		
		76722700	\$ 96					X		X				X	X								X
2	ELECTRODE/SPARK IGNITER																						
		76714900	\$ 8		X				X			X			X								X
3	ELECTRODE/FLAME SENSOR																						
		76715000	\$ 7		X				X			X			X								X
4	FAN MOTOR (BLOWER MOTOR)																						
		76714500	\$ 155		X				X			2			2								2
6	GAS VALVE (LP)																						
		76717500	\$ 56		X				X														
		76717600	\$ 191									X			X								X
6	GAS VALVE (NAT)																						
		76714600	\$ 53		X				X														
		76714800	\$ 111									X			X								X
7	INDUCED DRAFT MOTOR ASSEMBLY (includes motor, housing, & blower wheel)																						
		76746100	\$ 95																				
		76714300	\$ 122		X				X			X			X								X
		76738400	\$ 159																				
		76714200	\$ 89																				
8	LIMIT SWITCH																						
		76716600	\$ 16									X											X
		76716400	\$ 16						X														
		76716700	\$ 16	X							X						X	X					
		76716500	\$ 16			X																	
9	AUXILIARY LIMIT																						
		76717100	\$ 14									X			X								X

SEP UNIT HEATER

SEP 175 - 290

DRAWING NUMBER	DESCRIPTION	PART NUMBER	LIST PRICE	SEP 175					SEP 200			SEP 230					SEP 250	SEP 290				
				1	2	3	4	5	1	2	3	1	2	3	4	5		1	2	3	4	5
	ALUMINIZED STEEL HEAT EXCHANGER																					
	STAINLESS STEEL HEAT EXCHANGER					0	1		1	2	3				0	1					0	1
10	PRESSURE SWITCH																					
		76776900	\$ 27			X				X				X						X		
		76777000	\$ 27														X					
		76777100	\$ 27																			
		76777200	\$ 27																			
		76777300	\$ 27																			
11	TRANSFORMER																					
		76715500	\$ 14			X				X				X						X		
12	BURNER																					
		76711200	\$ 25																			
		76711300	\$ 17			6				6				8			10			10		
15	FAN BLADE																					
		76710700	\$ 72																			
		76776400	\$ 66			X				X				X			X			X		
16	FAN MOTOR MOUNT / GUARD																					
		76711000	\$ 23																			
		76711100	\$ 17			X				X				2			2			2		
17	FLUE ADAPTER																					
		76708400	\$ 29																			
		76708500	\$ 28																			
		76708600	\$ 37			X				X				X			X			X		
		76708700	\$ 41																			
19	FLUE BOX																					
		76709100	\$ 52																			
		76709000	\$ 52																			
		76718900	\$ 56																			
		76709200	\$ 56																			
		76719100	\$ 56																			
		76709300	\$ 65																			
		76721300	\$ 82	X																		
		76709400	\$ 60			X																
		76709500	\$ 53							X												
		76736600	\$ 66								X						X					
		76709600	\$ 66											X								
		76736700	\$ 66															X				
		76709700	\$ 38																	X		
		76709800	\$ 66																			
		76709900	\$ 72																			
20	FLUE BOX GASKET																					
		76710000	\$ 16																			
		76710100	\$ 14																			
		76710200	\$ 15			X				X												
		76710300	\$ 17											X			X			X		
22	INDUCED DRAFT MOTOR GASKET																					
		76708800	\$ 12																			
		76708900	\$ 20			X				X				X			X			X		

SEP UNIT HEATER

SEP 175 - 290

DRAWING NUMBER	DESCRIPTION	PART NUMBER	LIST PRICE	SEP 175					SEP 200			SEP 230					SEP 250	SEP 290				
				1	2	3	4	5	1	2	3	1	2	3	4	5		1	2	3	4	5
	ALUMINIZED STEEL HEAT EXCHANGER																					
	STAINLESS STEEL HEAT EXCHANGER					0	1		1	2	3				0	1					0	1

21	HEAT EXCHANGER (ALUMINIZED)																			
	76707300	\$ 177																		
	76707400	n/a																		
	76707500	\$ 266																		
	76707600	\$ 289																		
	76707700	\$ 334				X			X											
	76707800	\$ 475											X							
	76707900	\$ 555													X				X	
	76708000	\$ 640																		

21	HEAT EXCHANGER (STAINLESS)																			
	76711400	\$ 287																		
	76711500	n/a																		
	76711600	\$ 438																		
	76711700	\$ 514																		
	76708100	\$ 499							X											
	76708200	\$ 850											X							
	76711900	\$ 816													X					X
	76708300	\$ 955																		

23	LOUVER SPRING																			
	76713500	\$ 6					7			7					14		14			14

24	LOUVER VANE, BEIGE																			
	76713100	\$ 57																		
	76713200	\$ 12																		
	76713300	\$ 12					7			7										
	76713400	\$ 45													14		14			14

25	MANIFOLD																			
	* For these models, you also need to order tapered thread orifices. (All new manifolds have tapered threads and will not fit with older orifices having straight threads).	76724800	\$ 20																	
		76724700	\$ 20																	
		76724400	\$ 17																	
		76724500	\$ 17																	
		76724600	\$ 17			X *		X		X *		X								
		76724100	\$ 25									X *		X						
		76724200	\$ 25												X				X *	X
		76724300	\$ 25																	

28	ORIFICE (NAT)																			
	Straight thread	76712300	\$ 9				6							8					10	
	Tapered thread	76723000	\$ 9					6							8					10
	Straight thread	76712200	\$ 9																	
	Tapered thread	76723700	\$ 9																	
	Straight thread	76712400	\$ 9						6											
	Tapered thread	76723400	\$ 9														10			
	Tapered thread	76723600	\$ 9								6									

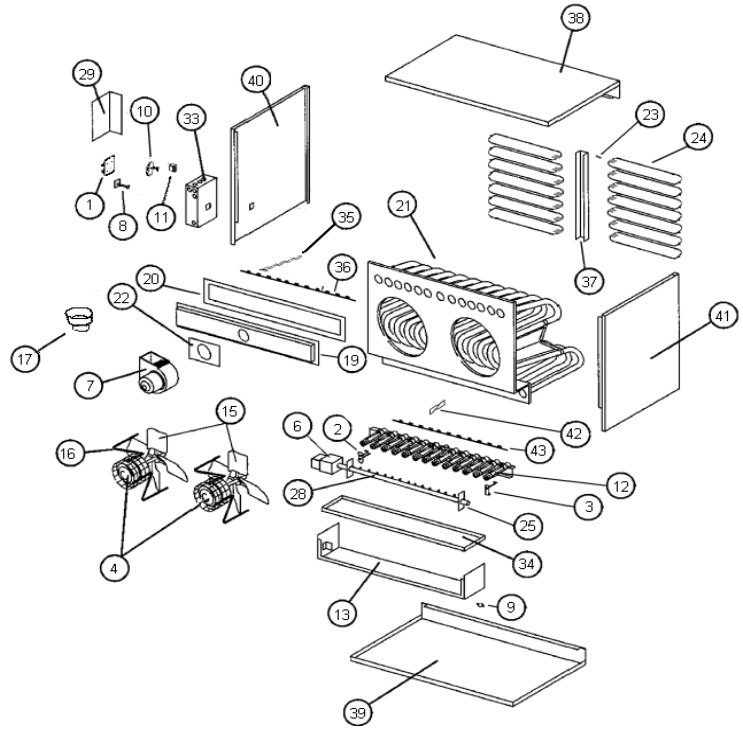
28	ORIFICE (LP)																			
	Straight thread	76717200	\$ 9																	
	Tapered thread	76724000	\$ 9																	
	Tapered thread	76723500	\$ 9														10			
	Straight thread	76717300	\$ 9				6							8					10	
	Tapered thread	76723100	\$ 9					6							8					10
	Straight thread	76717400	\$ 9						6											
	Tapered thread	76723300	\$ 9								6									

SEP UNIT HEATER

SEP 175 - 290

DRAWING NUMBER	DESCRIPTION	PART NUMBER	LIST PRICE	SEP 175					SEP 200			SEP 230					SEP 250		SEP 290				
				1	2	3	4	5	1	2	3	1	2	3	4	5			1	2	3	4	5
	ALUMINIZED STEEL HEAT EXCHANGER																						
	STAINLESS STEEL HEAT EXCHANGER					0	1		1	2	3				0	1						0	1
29	CONTROL BOX COVER	76712600	\$ 20		X				X			X				X		X			X		
33	CONTROL BOX	76712500	\$ 24		X				X			X				X		X			X		
34	DRIP SHIELD	76712700	\$ 48																				
		76712800	\$ 54																				
		76712900	\$ 51		X				X														
		76713000	\$ 53									X			X					X			
35	FLUE BAFFLE	76710400	\$ 19			6			6					8		10					10		
36	FLUE BAFFLE BRACKET	76710500	\$ 3																				
		76710600	\$ 3			X			X					2		2					2		
37	LOUVER BRACKET	76714100	\$ 21											X		X					X		
38	PANEL, TOP	76701000	\$ 83																				
		76700900	\$ 61																				
		76701100	\$ 65				X																
		76700800	\$ 87									X			X					X			
39	PANEL, BOTTOM	76701500	\$ 83																				
		76701300	\$ 89																				
		76701400	\$ 57			X			X														
		76701200	\$ 111									X			X					X			
40	PANEL, LEFT SIDE (viewed from rear)	76701900	\$ 91																				
		76702100	\$ 101			X			X														
		76702000	\$ 102									X			X					X			
41	PANEL, RIGHT SIDE (viewed from rear)	76701600	\$ 90																				
		76701800	\$ 108			X			X														
		76701700	\$ 112									X			X					X			
42	TURBULATOR FOR NOX	76717800	\$ 23			6			6					8		10					10		
43	TURBULATOR RETAINER	76717900	\$ 47			X			X					2		2					2		
Not Shown	FAN TIMER	100002477	\$ 86	X								X								X			
Not Shown	GAS PRESSURE SWITCH	76717700	\$ 39			X																	
Not Shown	IGNITION WIRE	10000546	\$ 54	X								X								X			
		76715100	\$ 12			X			X														
		76715200	\$ 13											X		X					X		
Not Shown	FLAME SENSOR WIRE	10000547	\$ 19	X																			
		10000548	\$ 16									X								X			
		76738500	\$ 7				X		X														
		76738600	\$ 8												X	X					X		
Not Shown	WIRING HARNESS	76716900	\$ 9			X			X														
		76722900	\$ 21				X			X													
		76717000	\$ 112											X						X			
		76722800	\$ 20												X	X					X		

SEP



SEP UNIT HEATER

SEP 300 - 400

DRAWING NUMBER	DESCRIPTION	PART NUMBER	LIST PRICE	SEP 300	SEP 345						SEP 400			
					1	2	3	4	5	6	1	2	3	4
	ALUMINIZED STEEL HEAT EXCHANGER				1	2	3	4	5	6	1	2	3	4
	STAINLESS STEEL HEAT EXCHANGER								0	1	1	2	3	4
1	CONTROL BOARD													
		10000240	\$ 156			X								
		76777500	\$ 214				X					X		
		76722700	\$ 96	X						X				X
2	ELECTRODE/SPARK IGNITER													
		76714900	\$ 8	X			X						X	
3	ELECTRODE/FLAME SENSOR													
		76715000	\$ 7	X			X						X	
4	FAN MOTOR (BLOWER MOTOR)													
		76714500	\$ 155	2			2						2	
6	GAS VALVE (LP)													
		76717500	\$ 56											
		76717600	\$ 191	X			X						X	
6	GAS VALVE (NAT)													
		76714600	\$ 53											
		76714800	\$ 111	X			X						X	
7	INDUCED DRAFT MOTOR ASSEMBLY (includes motor, housing, & blower wheel)													
		76746100	\$ 95											
		76714300	\$ 122	X										
		76738400	\$ 159				X						X	
		76714200	\$ 89											
8	LIMIT SWITCH													
		76716600	\$ 16				X							
		76716400	\$ 16											
		76716700	\$ 16	X									X	
		76716500	\$ 16											
9	AUXILIARY LIMIT													
		76717100	\$ 14	X			X						X	

SEP UNIT HEATER

SEP 300 - 400

DRAWING NUMBER	DESCRIPTION	PART NUMBER	LIST PRICE	SEP 300	SEP 345						SEP 400			
					1	2	3	4	5	6	1	2	3	4
	ALUMINIZED STEEL HEAT EXCHANGER													
	STAINLESS STEEL HEAT EXCHANGER								0	1	1	2	3	4
10	PRESSURE SWITCH													
		76776900	\$ 27	X				X						
		76777000	\$ 27										X	
		76777100	\$ 27											
		76777200	\$ 27											
		76777300	\$ 27											
11	TRANSFORMER													
		76715500	\$ 14	X				X					X	
12	BURNER													
		76711200	\$ 25											
		76711300	\$ 17	12				12					12	
15	FAN BLADE													
		76710700	\$ 72											
		76776400	\$ 66	X				X					X	
16	FAN MOTOR MOUNT / GUARD													
		76711000	\$ 23											
		76711100	\$ 17	2				2					2	
17	FLUE ADAPTER													
		76708400	\$ 29											
		76708500	\$ 28											
		76708600	\$ 37	X		X								
		76708700	\$ 41					X					X	
19	FLUE BOX													
		76709100	\$ 52											
		76709000	\$ 52											
		76718900	\$ 56											
		76709200	\$ 56											
		76719100	\$ 56											
		76709300	\$ 65											
		76721300	\$ 82											
		76709400	\$ 60											
		76709500	\$ 53											
		76736600	\$ 66											
		76709600	\$ 66											
		76736700	\$ 66											
		76709700	\$ 38	X										
		76709800	\$ 66					X						
		76709900	\$ 72										X	
20	FLUE BOX GASKET													
		76710000	\$ 16											
		76710100	\$ 14											
		76710200	\$ 15											
		76710300	\$ 17	X				X					X	
22	INDUCED DRAFT MOTOR GASKET													
		76708800	\$ 12											
		76708900	\$ 20	X				X					X	

SEP UNIT HEATER

SEP 300 - 400

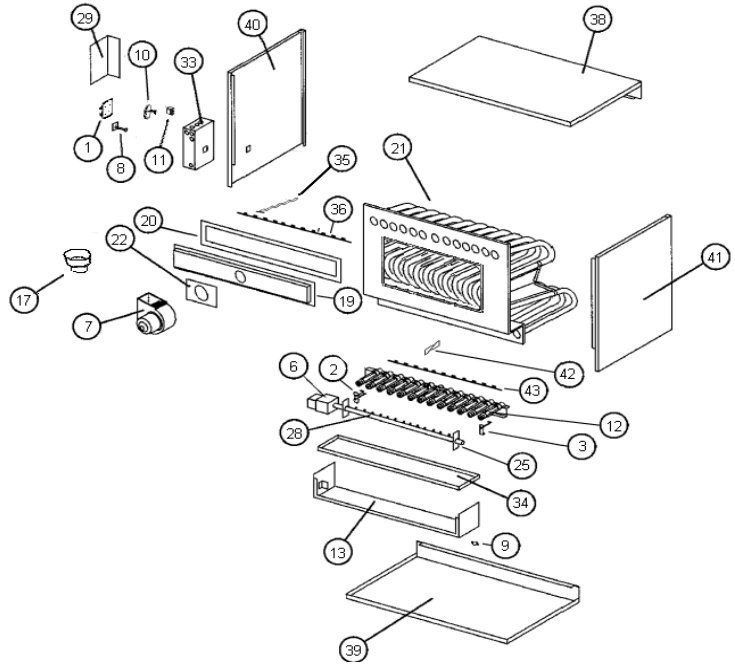
DRAWING NUMBER	DESCRIPTION	PART NUMBER	LIST PRICE	SEP 300	SEP 345						SEP 400			
					1	2	3	4	5	6	1	2	3	4
	ALUMINIZED STEEL HEAT EXCHANGER													
	STAINLESS STEEL HEAT EXCHANGER							0	1		1	2	3	4
21	HEAT EXCHANGER (ALUMINIZED)													
		76707300	\$ 177											
		76707400	n/a											
		76707500	\$ 266											
		76707600	\$ 289											
		76707700	\$ 334											
		76707800	\$ 475											
		76707900	\$ 555											
		76708000	\$ 640	X			X					X		
21	HEAT EXCHANGER (STAINLESS)													
		76711400	\$ 287											
		76711500	n/a											
		76711600	\$ 438											
		76711700	\$ 514											
		76708100	\$ 499											
		76708200	\$ 850											
		76711900	\$ 816											
		76708300	\$ 955	X					X			X		
23	LOUVER SPRING													
		76713500	\$ 6	14						14				14
24	LOUVER VANE, BEIGE													
		76713100	\$ 57											
		76713200	\$ 12											
		76713300	\$ 12											
		76713400	\$ 45	14						14				14
25	MANIFOLD													
	* For these models, you also need to order tapered thread orifices. (All new manifolds have tapered threads and will not fit with older orifices having straight threads).	76724800	\$ 20											
		76724700	\$ 20											
		76724400	\$ 17											
		76724500	\$ 17											
		76724600	\$ 17											
		76724100	\$ 25											
		76724200	\$ 25											
		76724300	\$ 25		X			X*		X		X*		X
28	ORIFICE (NAT)													
	Straight thread	76712300	\$ 9					12						
	Tapered thread	76723000	\$ 9							12				
	Straight thread	76712200	\$ 9											
	Tapered thread	76723700	\$ 9											
	Straight thread	76712400	\$ 9									12		
	Tapered thread	76723400	\$ 9	12										
	Tapered thread	76723600	\$ 9											12
28	ORIFICE (LP)													
	Straight thread	76717200	\$ 9											
	Tapered thread	76724000	\$ 9											
	Tapered thread	76723500	\$ 9	12										
	Straight thread	76717300	\$ 9					12						
	Tapered thread	76723100	\$ 9							12				
	Straight thread	76717400	\$ 9									12		
	Tapered thread	76723300	\$ 9											12

SEP UNIT HEATER

SEP 300 - 400

DRAWING NUMBER	DESCRIPTION	PART NUMBER	LIST PRICE	SEP 300	SEP 345						SEP 400			
					1	2	3	4	5	6	1	2	3	4
	ALUMINIZED STEEL HEAT EXCHANGER													
	STAINLESS STEEL HEAT EXCHANGER								0	1	1	2	3	4
29	CONTROL BOX COVER													
		76712600	\$ 20	X			X					X		
33	CONTROL BOX													
		76712500	\$ 24	X			X					X		
34	DRIP SHIELD													
		76712700	\$ 48											
		76712800	\$ 54											
		76712900	\$ 51											
		76713000	\$ 53	X			X					X		
35	FLUE BAFFLE													
		76710400	\$ 19	12			12					12		
36	FLUE BAFFLE BRACKET													
		76710500	\$ 3											
		76710600	\$ 3	X			X					X		
37	LOUVER BRACKET													
		76714100	\$ 21	X			X					X		
38	PANEL, TOP													
		76701000	\$ 83											
		76700900	\$ 61											
		76701100	\$ 65											
		76700800	\$ 87	X			X					X		
39	PANEL, BOTTOM													
		76701500	\$ 83											
		76701300	\$ 89											
		76701400	\$ 57											
		76701200	\$ 111	X			X					X		
40	PANEL, LEFT SIDE (viewed from rear)													
		76701900	\$ 91											
		76702100	\$ 101											
		76702000	\$ 102	X			X					X		
41	PANEL, RIGHT SIDE (viewed from rear)													
		76701600	\$ 90											
		76701800	\$ 108											
		76701700	\$ 112	X			X					X		
42	TURBULATOR FOR NOX													
		76717800	\$ 23	12			12					12		
43	TURBULATOR RETAINER													
		76717900	\$ 47	2			2					2		
Not Shown	FAN TIMER													
		100002477	\$ 86			X								
Not Shown	GAS PRESSURE SWITCH													
		76717700	\$ 39											
Not Shown	IGNITION WIRE													
		100000546	\$ 54			X								
		76715100	\$ 12											
		76715200	\$ 13	X			X					X		
Not Shown	FLAME SENSOR WIRE													
		100000547	\$ 19											
		100000548	\$ 16			X								
		76738500	\$ 7											
		76738600	\$ 8	X						X				X
Not Shown	WIRING HARNESS													
		76716900	\$ 9											
		76722900	\$ 21											
		76717000	\$ 112				X					X		
		76722800	\$ 20	X						X				X

HED



HED DUCT FURNACE

HED 75 - 150

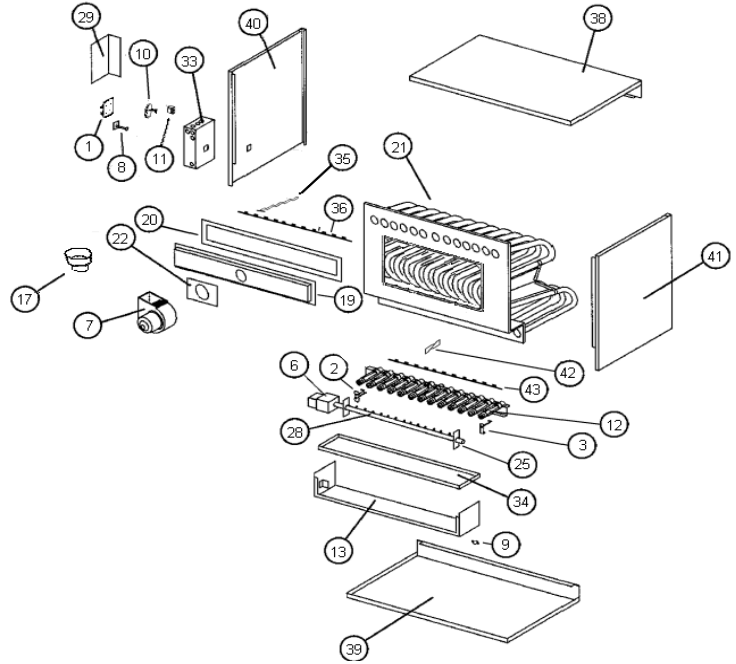
DRAWING NUMBER	DESCRIPTION	PART NUMBER	LIST PRICE	HED75			HED100			HED125			HED150		
				1	2	3	1	2	3	1	2	3	1	2	3
1	CONTROL BOARD														
		100000240	\$ 156	X			X			X			X		
		76777500	\$ 214		X			X			X			X	
		76722700	\$ 96			X			X			X			X
2	ELECTRODE/SPARK IGNITER				X			X			X			X	
		76714900	\$ 8		X			X			X			X	
3	ELECTRODE/FLAME SENSOR				X			X			X			X	
		76715000	\$ 7		X			X			X			X	
6	GAS VALVE (NAT)				X			X			X			X	
		76714600	\$ 53		X			X			X			X	
		76714800	\$ 111												
7	INDUCED DRAFT MOTOR ASSEMBLY (includes motor, housing, & blower wheel)				X			X			X			X	
		76746100	\$ 95		X			X			X			X	
		76714300	\$ 122												
8	LIMIT SWITCH				X										
		76716600	\$ 16		X										
		76716400	\$ 16												
		76716700	\$ 16												
		76716500	\$ 16					X			X			X	
9	AUXILIARY LIMIT														
		76717100	\$ 14												
10	PRESSURE SWITCH				X										
		76777100	\$ 27		X										
		76722500	\$ 47					X						X	
		76722600	\$ 42								X				
		76776900	\$ 27												
11	TRANSFORMER				X			X			X			X	
		76715500	\$ 14		X			X			X			X	
12	BURNER							4			5			6	
		76711300	\$ 17					4			5			6	
		76711200	\$ 25		6										
17	FLUE ADAPTER				X			X			X			X	
		76708500	\$ 28		X			X			X			X	
		76708600	\$ 37												
19	FLUE BOX							X							
		76718900	\$ 56					X							
		76712100	\$ 15		X										
		76718800	\$ 25								X				
		76721400	\$ 66												
		76721500	\$ 72												
		76719100	\$ 56											X	
		76721300	\$ 82												

HED DUCT FURNACE

HED 75 - 150

DRAWING NUMBER	DESCRIPTION	PART NUMBER	LIST PRICE	HED75			HED100			HED125			HED150			
				1	2	3	1	2	3	1	2	3	1	2	3	
20	FLUE BOX GASKET															
		76710000	\$ 16		X											
		76710100	\$ 14					X		X						
		76710200	\$ 15												X	
		76710300	\$ 17													
21	HEAT EXCHANGER (ALUM)															
		76719700	\$ 236		X											
		76719800	\$ 296					X								
		76719900	\$ 322								X					
		76720000	\$ 336												X	
		76720100	\$ 477													
		76720200	\$ 510													
		76720300	\$ 984													
21	HEAT EXCHANGER (STAINLESS)															
		76720400	\$ 331		X											
		76720500	\$ 407					X								
		76720600	\$ 539							X						
		76720700	\$ 555												X	
		76720800	\$ 684													
		76720900	\$ 1,026													
		76721000	\$ 1,053													
22	INDUCED DRAFT GASKET															
		76708800	\$ 12		X			X		X		X		X		
		76708900	\$ 20													
25	MANIFOLD															
	* For these models, you also need to order tapered thread orifices. (All new manifolds have tapered threads and will not fit with older orifices having straight threads).	76724700	\$ 20		X *	X										
		76724400	\$ 17					X *	X							
		76724500	\$ 17							X *	X					
		76724600	\$ 17										X *	X		
		76724100	\$ 25													
		76724200	\$ 25													
		76724300	\$ 25													
28	ORIFICE (NAT)															
	Straight thread	76719400	\$ 9		6											
	Tapered thread	76723900	\$ 9			6										
	Straight thread	76719500	\$ 9				4			5			6			
	Tapered thread	76723400	\$ 9					4			5			6		6
29	CONTROL BOX COVER															
		76712600	\$ 20		X			X		X		X		X		
33	CONTROL BOX															
		76712500	\$ 24		X			X		X		X		X		
38	PANEL, TOP															
		76701000	\$ 83		X											
		76700900	\$ 61					X		X						
		76701100	\$ 65												X	
		76700800	\$ 87													
39	PANEL, BOTTOM															
		76701500	\$ 83		X											
		76701300	\$ 89					X		X						
		76701400	\$ 57												X	
		76701200	\$ 111													
40	PANEL, LEFT SIDE (as viewed from rear)															
		76701900	\$ 91		X											
		76702100	\$ 101					X		X				X		
		76702000	\$ 102													
41	PANEL, RIGHT SIDE (as viewed from rear)															
		76701600	\$ 90		X											
		76701800	\$ 108					X		X				X		
		76701700	\$ 112													
Not Shown	FAN TIMER															
		100002477	\$ 86	X				X		X		X		X		
Not Shown	IGNITION WIRE															
		100000546	\$ 54	X				X		X		X		X		
		76715100	\$ 12			X			X		X				X	
		76715200	\$ 13													
Not Shown	FLAME SENSOR WIRE															
		100000547	\$ 19	X				X		X				X		
		100000548	\$ 16													
		76738500	\$ 7			X			X			X				X
		76738600	\$ 8													

HED



HED DUCT FURNACE HED 200 - 300

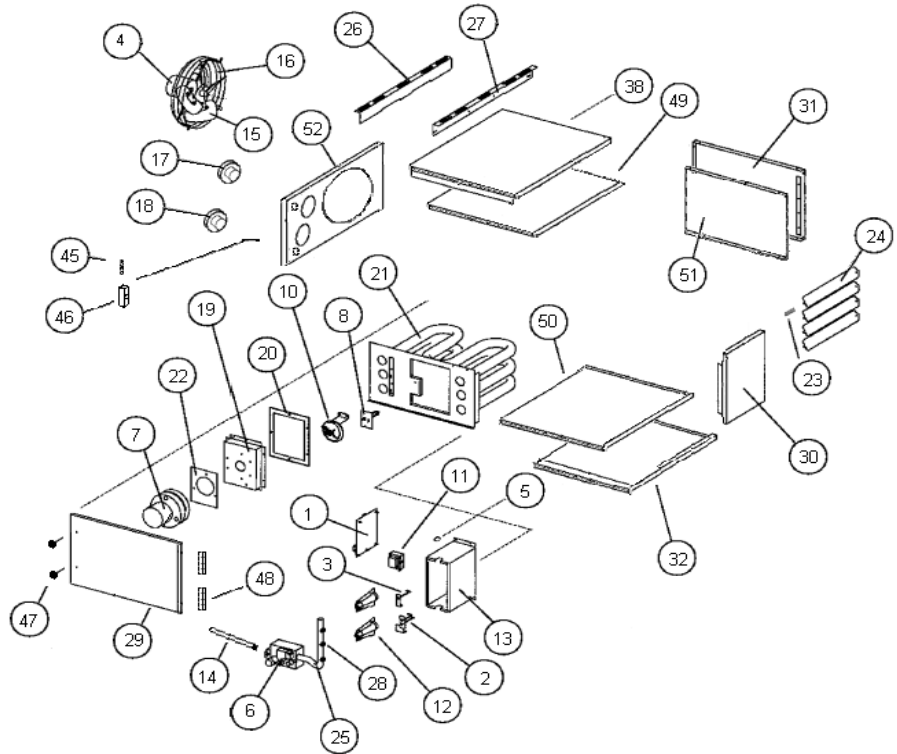
DRAWING NUMBER	DESCRIPTION	PART NUMBER	LIST PRICE	HED200			HED250			HED300		
				1	2	3	1	2	3	1	2	3
1	CONTROL BOARD											
		10000240	\$ 156	X			X			X		
		76777500	\$ 214		X			X			X	
		76722700	\$ 96			X			X			X
2	ELECTRODE/SPARK IGNITER											
		76714900	\$ 8		X			X			X	
3	ELECTRODE/FLAME SENSOR											
		76715000	\$ 7		X			X			X	
6	GAS VALVE (NAT)											
		76714600	\$ 53									
		76714800	\$ 111		X			X			X	
7	INDUCED DRAFT MOTOR ASSEMBLY (includes motor, housing, & blower wheel)											
		76746100	\$ 95									
		76714300	\$ 122		X			X			X	
8	LIMIT SWITCH											
		76716600	\$ 16									
		76716400	\$ 16								X	
		76716700	\$ 16					X				
		76716500	\$ 16		X							
9	AUXILIARY LIMIT											
		76717100	\$ 14		X			X			X	
10	PRESSURE SWITCH											
		76777100	\$ 27									
		76722500	\$ 47									
		76722600	\$ 42									
		76776900	\$ 27		X			X			X	
11	TRANSFORMER											
		76715500	\$ 14		X			X			X	
12	BURNER											
		76711300	\$ 17		8			10			12	
		76711200	\$ 25									
17	FLUE ADAPTER											
		76708500	\$ 28									
		76708600	\$ 37		X			X			X	
19	FLUE BOX											
		76718900	\$ 56									
		76712100	\$ 15									
		76718800	\$ 25									
		76721400	\$ 66					X				
		76721500	\$ 72								X	
		76719100	\$ 56									
		76721300	\$ 82		X							

HED DUCT FURNACE

HED 200 - 300

DRAWING NUMBER	DESCRIPTION	PART NUMBER	LIST PRICE	HED200			HED250			HED300		
				1	2	3	1	2	3	1	2	3
20	FLUE BOX GASKET											
		76710000	\$ 16									
		76710100	\$ 14									
		76710200	\$ 15									
		76710300	\$ 17		X		X			X		
21	HEAT EXCHANGER (ALUM)											
		76719700	\$ 236									
		76719800	\$ 296									
		76719900	\$ 322									
		76720000	\$ 336									
		76720100	\$ 477		X							
		76720200	\$ 510				X					
		76720300	\$ 984							X		
21	HEAT EXCHANGER (STAINLESS)											
		76720400	\$ 331									
		76720500	\$ 407									
		76720600	\$ 539									
		76720700	\$ 555									
		76720800	\$ 684		X							
		76720900	\$ 1,026				X					
		76721000	\$ 1,053							X		
22	INDUCED DRAFT GASKET											
		76708800	\$ 12									
		76708900	\$ 20		X		X			X		
25	MANIFOLD											
	* For these models, you also need to order tapered thread orifices. (All new manifolds have tapered threads and will not fit with older orifices having straight threads).	76724700	\$ 20									
		76724400	\$ 17									
		76724500	\$ 17									
		76724600	\$ 17									
		76724100	\$ 25		X *	X						
		76724200	\$ 25				X *	X				
		76724300	\$ 25							X *	X	
28	ORIFICE (NAT)											
	Straight thread	76719400	\$ 9									
	Tapered thread	76723900	\$ 9									
	Straight thread	76719500	\$ 9		8		10			12		
	Tapered thread	76723400	\$ 9			8		10			12	
29	CONTROL BOX COVER											
		76712600	\$ 20		X		X			X		
33	CONTROL BOX											
		76712500	\$ 24		X		X			X		
38	PANEL, TOP											
		76701000	\$ 83									
		76700900	\$ 61									
		76701100	\$ 65									
		76700800	\$ 87		X		X			X		
39	PANEL, BOTTOM											
		76701500	\$ 83									
		76701300	\$ 89									
		76701400	\$ 57									
		76701200	\$ 111		X		X			X		
40	PANEL, LEFT SIDE (as viewed from rear)											
		76701900	\$ 91									
		76702100	\$ 101									
		76702000	\$ 102		X		X			X		
41	PANEL, RIGHT SIDE (as viewed from rear)											
		76701600	\$ 90									
		76701800	\$ 108									
		76701700	\$ 112		X		X			X		
Not Shown	FAN TIMER											
		100002477	\$ 86	X			X			X		
Not Shown	IGNITION WIRE											
		100000546	\$ 54	X			X			X		
		76715100	\$ 12									
		76715200	\$ 13		X		X			X		
Not Shown	FLAME SENSOR WIRE											
		100000547	\$ 19									
		100000548	\$ 16	X			X			X		
		76738500	\$ 7									
		76738600	\$ 8			X		X			X	

FOA



FOA UNIT HEATER

DRAWING NUMBER	DESCRIPTION	PART NUMBER	LIST PRICE	FOA 45	FOA 60	FOA 75	FOA 100	FOA 125	FOA 150	FOA 200	FOA 250	FOA 300
1	CONTROL BOARD											
		76722700	\$ 96					X				
	WIRE HARNESS 6-PIN											
		76722900	\$ 21					X				
45	24V TERMINAL BOARD											
		76700060	\$ 31					X				
	DOOR SWITCH											
		76729900	\$ 4					X				
2	ELECTRODE/SPARK IGNITER											
		76700050	\$ 10					X				
	WIRE, IGNITION cable											
		76715100	\$ 12					X				
3	ELECTRODE/FLAME SENSOR											
		76700051	\$ 6					X				
	WIRE, FLAME SENSE											
		76738500	\$ 7					X				
4	FAN MOTOR (BLOWER MOTOR)											
		76791000	\$ 61	X								
		76700242	\$ 138		X	X	X	X			X	2
		76714500	\$ 155						X	X		
5	FLAME ROLLOUT SWITCH											
		76739900	\$ 14	1								
		76740200	\$ 14		2	2	1	1				
6	GAS VALVE (LP)											
		76717500	\$ 56				X					
		76700264	\$ 146									X
6	GAS VALVE (NAT)											
		76714600	\$ 53				X					
		76700265	\$ 146									X
7	INDUCED DRAFT MOTOR ASSEMBLY (includes motor, housing, & blower wheel)											
		76739200	\$ 91	X	X	X						
		76714300	\$ 122				X	X	X	X	X	X

FOA UNIT HEATER

DRAWING NUMBER	DESCRIPTION	PART NUMBER	LIST PRICE	FOA 45	FOA 60	FOA 75	FOA 100	FOA 125	FOA 150	FOA 200	FOA 250	FOA 300
8	LIMIT SWITCH											
		76739700	\$ 8	X	X	X						
		76716400	\$ 16				X	X	X	X		X
		76716500	\$ 16								X	
10	PRESSURE SWITCH											
		76777400	\$ 27	X	X							
		76777300	\$ 27			X						
		76722600	\$ 42				X					
		76700096	\$ 42					X				
		76776900	\$ 27						X	X		
		76777000	\$ 27								X	
		76700236	\$ 40									X
46	ELECTRICAL BOX											
		76700056	\$ 9					X				
Not Shown	ELECTRICAL BOX COVER											
		76700057	\$ 6					X				
11	TRANSFORMER											
		76715500	\$ 14					X				
12	BURNER INSHOT											
		76739500	\$ 20	3	4	5						
		76711300	\$ 17				4	5	6	7	10	11
13	BURNER BOX											
		76773700	\$ 19	X								
		76773800	\$ 20		X	X						
Not Shown	BURNER SUPPORT PLATE											
		76700272	\$ 13				X	X				
		76700237	\$ 20					X	X			
		76700239	\$ 30								X	X
Not Shown	BURNER BOX TOP											
		76700085	\$ 8	X								
		76700086	\$ 10		X							
		76700087	\$ 10			X						
15	FAN BLADE											
		76739100	\$ 46	X								
		76740000	\$ 35		X							
		76712000	\$ 35			X						
		76776400	\$ 66				X	X			X	X
		76700250	\$ 47						X	X		
16	FAN GUARD											
		76739000	\$ 20	X	X							
		76740100	\$ 27			X						
		76700059	\$ 21				X	X				
		76700249	\$ 24						X	X		
		76711100	\$ 17								X	2
17	INLET AIR ADAPTER											
		76700279	\$ 38	X								
		76700231	\$ 32					X				
Not Shown	INLET AIR ADAPTER GASKET											
		76700063	\$ 4	X								
		76700062	\$ 8					X				

FOA UNIT HEATER

DRAWING NUMBER	DESCRIPTION	PART NUMBER	LIST PRICE	FOA 45	FOA 60	FOA 75	FOA 100	FOA 125	FOA 150	FOA 200	FOA 250	FOA 300
18	FLUE ADAPTER											
		76735000	\$ 18	X								
		76737800	\$ 12		X	X						
		76708600	\$ 37				X	X	X	X	X	
		76708700	\$ 41									X
19	FLUE BOX											
		76700102	\$ 39	X								
		76700103	\$ 40		X							
		76700104	\$ 40			X						
		76700033	\$ 45				X					
		76700034	\$ 45					X				
		76700247	\$ 49						X			
		76700248	\$ 49							X		
		76700258	\$ 56								X	
		76700259	\$ 51									X
20	FLUE BOX GASKET											
		76739300	\$ 15	X								
		76740300	\$ 14		X	X						
		76700058	\$ 8				X	X				
		76700253	\$ 8						X	X		
		76700254	\$ 14								X	X
21	HEAT EXCHANGER ASSEMBLY											
		76700067	\$ 104	X								
		76700068	\$ 142		X							
		76700069	\$ 158			X						
		76700053	\$ 221				X					
		76700054	\$ 255					X				
		76700232	\$ 306						X			
		76700233	\$ 339							X		
		76700234	\$ 466								X	
		76700235	\$ 499									X
22	INDUCED DRAFT GASKET											
		76739300	\$ 15	X								
		76708800	\$ 12		X	X						
		76708900	\$ 20				X	X	X	X	X	X
54	INDUCED DRAFT MOTOR PLATE											
		76700105	\$ 5	X	X	X						
53	GASKET INDUCED DRAFT MOTOR PLATE											
		76700106	\$ 5	X	X	X						
23	LOUVER SPRING											
		76713500	\$ 6	4	6	6	6	6	8	8	12	12
24	LOUVER VANE (BEIGE)											
		76741100	\$ 18	4	6	6						
		76713100	\$ 57				6	6	8	8	12	12
25	MANIFOLD											
		76774000	\$ 15	X								
		76774100	\$ 16		X							
		76774200	\$ 16			X						
		76700046	\$ 28				X					
		76700280	\$ 28					X				
		76700251	\$ 30						X			
		76700252	\$ 30							X		
		76700261	\$ 41								X	
		76700262	\$ 41									X
14	MANIFOLD CONNECTION											
		76700048	\$ 9	X	X	X						
		76700040	\$ 14				X	X	X	X		
		76700230	\$ 15								X	X
Not Shown	MANIFOLD GROMMET											
		76700047	\$ 4	X	X	X	X	X	X	X		
		76700278	\$ 6								X	X
26	MOUNTING BRACKET, BACK											
		76750900	\$ 23	X	X	X						

FOA UNIT HEATER

DRAWING NUMBER	DESCRIPTION	PART NUMBER	LIST PRICE	FOA 45	FOA 60	FOA 75	FOA 100	FOA 125	FOA 150	FOA 200	FOA 250	FOA 300
27	MOUNTING BRACKET, FRONT	76750800	\$ 15	X	X	X						
28	ORIFICE (LP)	76724000	\$ 9	3	4	5						
		76723500	\$ 9				4	5	6		10	
		76723100	\$ 9							7		11
28	ORIFICE (NAT)	76723700	\$ 9	3	4							
		76700281	\$ 9			5						
		76723400	\$ 9				4	5				
		76700263	\$ 9						6			11
		76723600	\$ 9							7		
		76723400	\$ 9								10	
30	FRONT PANEL	76700079	\$ 41	X								
		76700031	\$ 19		X	X						
		76700037	\$ 36				X	X				
		76700244	\$ 45						X	X		
		76700256	\$ 56								X	X
38	TOP PANEL	76700098	\$ 38	X	X	X						
		76700035	\$ 74				X	X	X	X	X	X
32	BOTTOM PANEL	76700099	\$ 38	X	X	X						
		76700229	\$ 74				X	X	X	X		
		76700241	\$ 124								X	X
50	TOP / BOTTOM INSULATING PANEL	76700070	\$ 20	X	X	X						
		76700282	\$ 45				X	X	X	X	X	X
31	SIDE PANEL	76700080	\$ 19	X								
		76700073	\$ 25		X	X						
		76700038	\$ 58				X	X				
		76700245	\$ 70						X	X		
		76700260	\$ 128								X	X
51	SIDE INSULATING PANEL	76700081	\$ 17	X								
		76700071	\$ 21		X	X						
		76700043	\$ 41				X	X				
		76700246	\$ 48						X	X		
		76700284	\$ 63								X	X
52	FAN PANEL	76700097	\$ 30	X								
		76700101	\$ 37		X	X						
		76700036	\$ 54				X	X				
		76700243	\$ 63						X	X		
		76700255	\$ 86								X	X
29	ACCESS DOOR	76700076	\$ 31	X								
		76700075	\$ 36		X	X						
		76700074	\$ 48				X	X				
		76700285	\$ 66						X	X		
		76700286	\$ 137								X	X
Not Shown	SIGHT GLASS	76700042	\$ 4					X				

FOA - VENTING GUIDELINES

	Model Size (1000s BTUH)	Termination Type	Flue		Inlet air		Approved Caps	
			Material	Size	Material	Size	Flue	Inlet air
			FOA Horizontal Commercial Applications	45	Two pipe	Single wall Cat. III	3"	Single wall
Concentric	Single wall Cat. III	* 3"			Single wall	* 3"	Concentric vent kit (4"/7") Part # 65336800	
60, 75	Two pipe	Single wall Cat. III		4"	Single wall	4"	Tee Cat. III	Tee Cat. III
	Concentric	Single wall Cat. III		4"	Single wall	4"	Concentric vent kit (4"/7") Part # 65336800	
100, 125	Two pipe	Single wall Cat. III		5"	Single wall	4"	Tee Cat. III	Tee Cat. III
	Concentric	Not available						
150,200,250	Two pipe	Single wall Cat. III	5"	Single wall	4"	Tee Cat. III	Tee Cat. III	
	Concentric	Single wall Cat. III	5"	Single wall	** 4"	Concentric vent kit (5"/8") Part # 65354500		
300	Two pipe	Single wall Cat. III	6"	Single wall	4"	Tee Cat. III	Tee Cat. III	
	Concentric	Not available						

	Model Size (1000s BTUH)	Termination Type	Flue		Inlet air		Approved Caps	
			Material	Size	Material	Size	Flue	Inlet air
			FOA Vertical Commercial Applications	45	Two Pipe	Single wall Double Wall (B-1)	3"	Single wall
Concentric	Single wall Double Wall (B-1)	* 3"			Single wall	* 3"	Concentric vent kit (4"/7") Part # 65336800	
60, 75	Two Pipe	Single wall Double Wall (B-1)		4"	Single wall	4"	Any UL approved caps	
	Concentric	Single wall Double Wall (B-1)		4"	Single wall	4"	Concentric vent kit (4"/7") Part # 65336800	
100, 125	Two Pipe	Single wall Double Wall (B-1)		5"	Single wall	4"	Any UL approved caps	
	Concentric	Single wall Double Wall (B-1)		5"	Single wall	** 4"	Concentric vent kit (5"/8") Part # 65336900	
150,200,250	Two Pipe	Single wall Double Wall (B-1)	5"	Single wall	4"	Any UL approved caps		
	Concentric	not available						
300	Two Pipe	Single wall Double Wall (B-1)	6"	Single wall	4"	Any UL approved caps		
	Concentric	not available						

	Model Size (1000s BTUH)	Termination Type	Flue		Inlet air		Approved Caps	
			Material	Size	Material	Size	Flue	Inlet air
			FOA Horizontal Residential Applications	45	Two pipe	Cat. III	* 3"	Single wall
60, 75	Two pipe	Cat. III		4"	Single wall	4"	Cat. III	Tee
100, 125	Two pipe	Cat. III		5"	Single wall	4"	Cat. III	Tee

	Model Size (1000s BTUH)	Termination Type	Flue		Inlet air		Approved Caps	
			Material	Size	Material	Size	Flue	Inlet air
			FOA Vertical Residential Applications	45	Two Pipe	Double Wall (B-1)	3"	Single wall
Concentric	Double Wall (B-1)	* 3"			Single wall	* 3"	Concentric vent kit (4"/7") Part # 65336800	
60, 75	Two Pipe	Double Wall (B-1)		4"	Single wall	4"	Any UL approved caps	
	Concentric	Double Wall (B-1)		4"	Single wall	4"	Concentric vent kit (4"/7") Part # 65336800	
100, 125	Two Pipe	Double Wall (B-1)		5"	Single wall	4"	Any UL approved caps	
	Concentric	Double Wall (B-1)		5"	Single wall	** 4"	Concentric vent kit (5"/8") Part # 65336900	

* Field supplied 3" to 4" increaser required for connection to concentric adapter

** Field supplied 4" to 5" increaser required for connection to concentric adapter

Note: Vent cap (for two pipe venting systems) 2 required per system

SEP & HED - VENTING GUIDELINES

SEP & HED Commercial Applications Only *	Model Size (1000s BTUH)	Horizontal Venting			Vertical Venting		
		Material	Size	Approved Caps	Material	Size	Approved Caps
	75 - 150	Single wall	4"	Tee	Single wall	4"	Any UL approved caps
Cat. III		Cat. III		Double Wall (B-1)			
175 - 300	Single wall	5"	Tee	Single wall	5"	Any UL approved caps	
	Cat. III		Cat. III	Double Wall (B-1)			
345 - 400	Single wall	6"	Tee	Single wall	6"	Any UL approved caps	
	Cat. III		Cat. III	Double Wall (B-1)			

* SEP and HED unit heaters are not approved for residential applications.

FSA - VENTING GUIDELINES

FSA Commercial Applications	Model Size (1000s BTUH)	Horizontal Venting			Vertical Venting		
		Material	Size	Approved Caps	Material	Size	Approved Caps
	30, 45	Single wall	3"	Tee	Single wall	3"	Any UL approved caps
Cat. III		Cat. III		Double Wall (B-1)			
60, 75	Single wall	4"	Tee	Single wall	4"	Any UL approved caps	
	Cat. III		Cat. III	Double Wall (B-1)			

FSA Residential Applications	Model Size (1000s BTUH)	Horizontal Venting			Vertical Venting		
		Material	Size	Approved Caps	Material	Size	Approved Caps
	30, 45	Cat. III	3"	Cat. III	Double Wall (B-1)	3"	Any UL approved caps
60, 75	Cat. III	4"	Cat. III	Double Wall (B-1)	4"	Any UL approved caps	

VENTING COMPONENTS

ADP Part Number	Description	List Price	FSA		SEP			HED		FOA				
			30 45	60 75	100 115 145	175 200 230 250 300	345 400	75 100 125 150	200 250 300	45	60 75	100 125	150 200 250	300
Category III Horizontal Vent Kits ^[1]														
66808901	^[2] VENT KIT, UP SLOPED CAT III (3")	\$ 281	X							X				
66808902	^[2] VENT KIT, UP SLOPED CAT III (4")	\$ 302		X	X			X			X			
66808903	^[2] VENT KIT, UP SLOPED CAT III (5")	\$ 355				X			X			X	X	
66808904	^[2] VENT KIT, UP SLOPED CAT III (6")	\$ 1,121					X							X
66809001	VENT KIT, DOWN SLOPED CAT III (3")	\$ 254	X							X				
66809002	VENT KIT, DOWN SLOPED CAT III (4")	\$ 273		X	X			X			X			
66809003	VENT KIT, DOWN SLOPED CAT III (5")	\$ 331				X			X			X	X	
66809004	VENT KIT, DOWN SLOPED CAT III (6")	\$ 938					X							X
Category III Components ^[3]														
66809101	90 DEGREE ELBOW CAT III (3")	\$ 70	X							X				
66809102	90 DEGREE ELBOW CAT III (4")	\$ 75		X	X			X			X			
66809103	90 DEGREE ELBOW CAT III (5")	\$ 85				X			X			X	X	
66809104	90 DEGREE ELBOW CAT III (6")	\$ 225					X							X
66809201	STRAIGHT VENT PIPE 6" LEN (3")	\$ 30	X							X				
66809202	STRAIGHT VENT PIPE 12" LEN (3")	\$ 35	X							X				
66809203	STRAIGHT VENT PIPE 36" LEN (3")	\$ 55	X							X				
66809301	STRAIGHT VENT PIPE 6" LEN (4")	\$ 33		X	X			X			X			
66809302	STRAIGHT VENT PIPE 12" LEN (4")	\$ 38		X	X			X			X			
66809303	STRAIGHT VENT PIPE 36" LEN (4")	\$ 65		X	X			X			X			
66809401	STRAIGHT VENT PIPE 6" LEN (5")	\$ 36				X			X			X	X	
66809402	STRAIGHT VENT PIPE 12" LEN (5")	\$ 42				X			X			X	X	
66809403	STRAIGHT VENT PIPE 36" LEN (5")	\$ 75				X			X			X	X	
66809501	STRAIGHT VENT PIPE 12" LEN (6")	\$ 152					X							X
66809502	STRAIGHT VENT PIPE 36" LEN (6")	\$ 239					X							X
66809601	HORIZ VENT / AIR INLET TEE (3")	\$ 114	X							X				
66809602	HORIZ VENT / AIR INLET TEE (4")	\$ 123		X	X			X			X	X	X	X
66809603	HORIZ VENT / AIR INLET TEE (5")	\$ 131				X			X			X	X	
66809604	HORIZ VENT / AIR INLET TEE (6")	\$ 275					X							X
Single Wall														
165340601	VENT CAP, SINGLE (3")	\$ 19	X							X				
165340602	VENT CAP, SINGLE (4")	\$ 21		X	X			X			X	X	X	X
165340603	VENT CAP, SINGLE (5")	\$ 23				X			X			X	X	
165340604	VENT CAP, SINGLE (6")	\$ 20					X							X
Concentric ^[4]														
65336800	KIT, CONCENTRIC VENT (4"/7")	\$ 306								X	X			
65336900	KIT, CONCENTRIC VENT (5"/8")	\$ 314										X		
65354500	KIT, CONCENTRIC VENT, HORIZ (5"/8")	\$ 338											X	
65337800	CONCENTRIC PIPE 18" LEN (4")	\$ 35								X	X			
65337900	CONCENTRIC PIPE 18" LEN (5")	\$ 36										X	X	

[1] Cat. III vent kit includes: (1) unit transition, (1) vent termination, and (1) wall thimble.

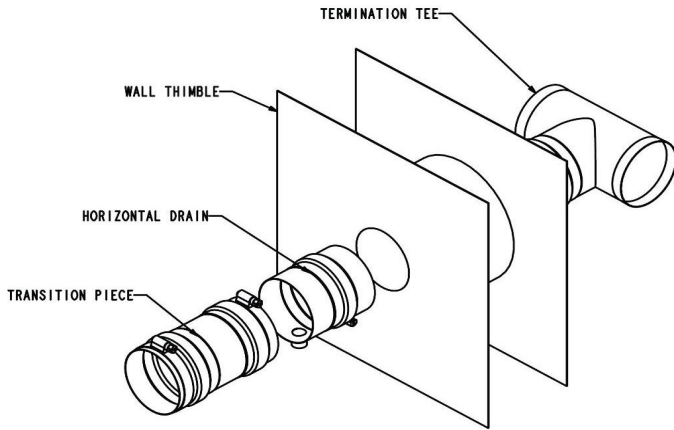
[2] Upslope kits have drain connection. Vent pipe sold separately.

[3] Category III not required for air intake.

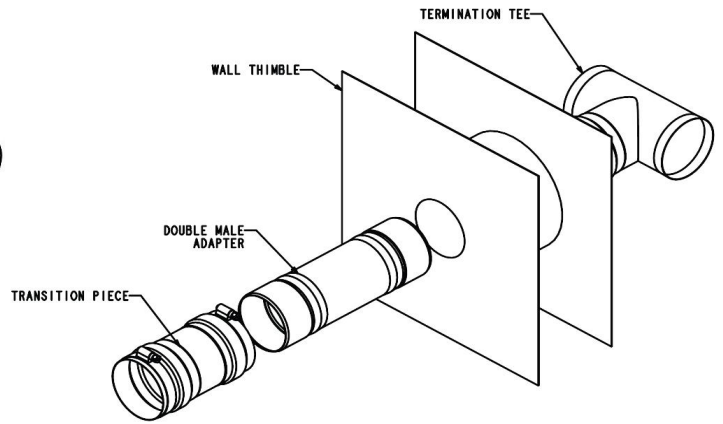
[4] Concentric vent kit includes: (1) concentric adapter, (1) 12" piece of concentric pipe, (2) concentric to single wall adapters, and (1) termination cap.

VENT KITS AND ACCESSORIES

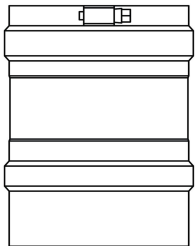
Horizontal Vent Kit (Upslope)



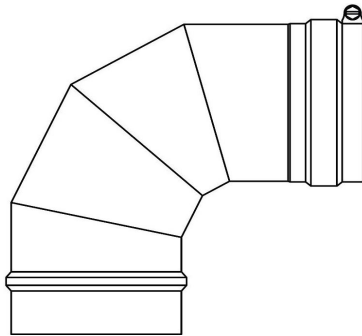
Horizontal Vent Kit (Downslope)



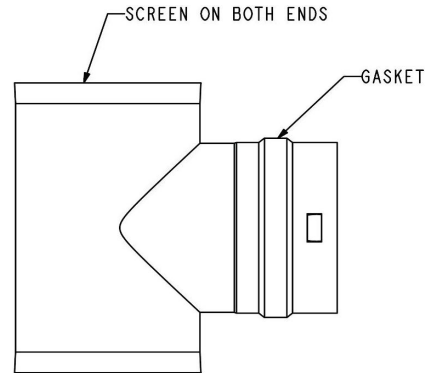
Straight Pipe (typical)



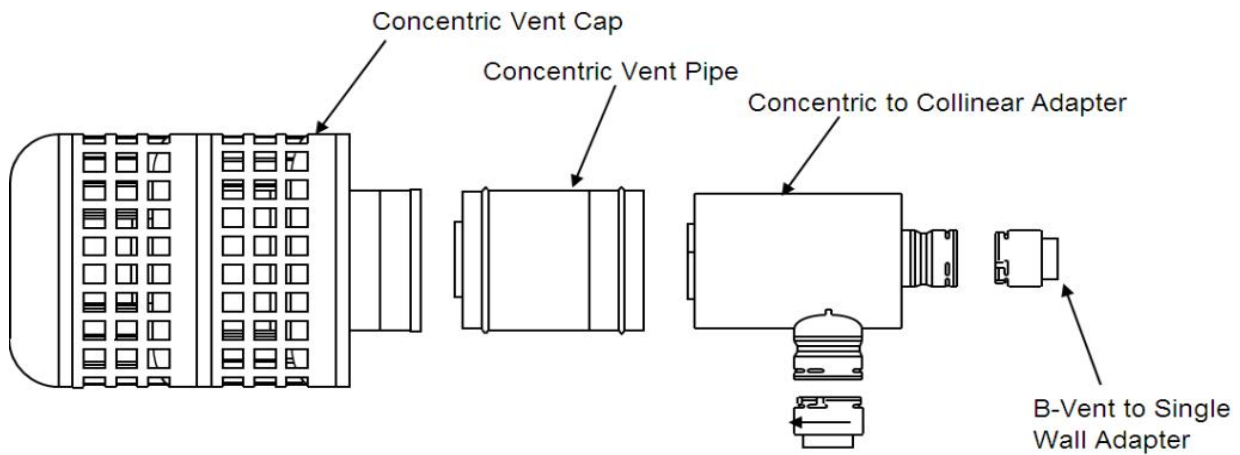
90 deg Elbow (typical)



Horizontal Vent Air Intake Tee



Concentric Vent Kit (typical)



FUEL CONVERSION KITS & MOUNTING BRACKETS

LP Conversion Kit Part # (not available for SEP 60, 90)	Used On Models	Includes	Ship Weight	List Price
165296401	SEP 100	1 Honeywell Spring Kit, 1 Spring Kit, 6 #52 Tapered Orifices, 1 LP Pressure Switch, 1 A-Nipple LP Pressure	2 lbs.	\$ 92
165295202	SEP 115, 145 & 175	1 393691 Honeywell Spring Kit, 1 92-0836 White Rogers Spring Kit, 6 #52 Tapered Orifices (Part # 76723100), 1 LP Pressure Switch, 1 A-Nipple LP Pressure Switch, 1 Elbow-LP Pressure Switch, 1 B-Nipple LP Pressure Switch, 6 Turbulators, 6 Turbulator Clips	2 lbs.	\$ 159
165295203	SEP 230, 290 & 345	1 LP Gas Valve (Part # 76717600), 12 #52 Tapered Orifices (Part # 76723100), 12 Turbulators, 12 Turbulator Clips	3 lbs.	\$ 190
165295205	SEP-200	1 393691 Honeywell Spring Kit, 1 92-0836 White Rogers Spring Kit, 6 .068 Tapered Orifices (Part # 76723300)	2 lbs.	\$ 47
165296403	SEP-250, 300	1 LP Gas Valve (Part # 76717600), 12 #53 Tapered Orifices (Part # 76723500), 12 Turbulators, 12 Turbulator Clips	3 lbs.	\$ 188
165295206	SEP-400	1 LP Gas Valve (Part # 76717600), 12 Tapered Orifices (Part # 76723300)	2 lbs.	\$ 159
165295204	CUH/FSA (all models)	1 393691 Honeywell Spring Kit (Part # 76757900), 1 92-0836 White Rogers Spring Kit (Part # 76757900), 1 Robert Shaw Spring Kit (Part #76768500), 5 #56 Tapered Orifices (Part # 76724000)	2 lbs.	\$ 45
165336301	FOA 45, 60 & 75	5 #56 Orifices (Part # 76724000), 1 Honeywell Spring Kit (Part # 76759100)	2 lbs.	\$ 40
165336303	FOA 100, 125, 150, 250	10 #53 Orifices (Part #76723500), 1 Honeywell Spring Kit (Part # 76759100)	2 lbs.	\$ 40
165336304	FOA 200 & 300	11 # 52 Orifices (Part # 76723100), 1 Honeywell Spring Kit (Part #76759100)	2 lbs.	\$ 40

LP Kits are not designed for and should not be used on HED duct furnaces.

LP & NG Kits have tapered thread orifices and will not fit older models with straight threads.

NG Conversion Kit Part # (not available for SEP 90, 100, 250, 300, and CUH units)	Used On Models	Includes	Ship Weight	List Price
Kit not yet available. Components are listed at right.	SEP 100	6 Tapered Orifices (Part # 76723400), 1 Natural Gas Valve (Part # 76714600)	TBD	TBD
160000001	SEP 115, 145, 175	6 Tapered Orifices (Part # 76723000), 1 Natural Gas Valve (Part # 76714600)	2 lbs.	\$ 59
160000002	SEP 200	7 Tapered Orifices (Part # 76723600), 1 Natural Gas Valve (Part # 76714600)	2 lbs.	\$ 60
160000003	SEP 230, 290, 345	12 Tapered Orifices (Part # 76723000), 1 Natural Gas Valve (Part # 76714800)	2 lbs.	\$ 96
Kit not yet available. Components are listed at right.	SEP 250, 300	12 Tapered Orifices (Part # 76723400), 1 Natural Gas Valve (Part # 76714800)	TBD	TBD
160000004	SEP 400	12 Tapered Orifices (Part # 76723300), 1 Natural Gas Valve (Part # 76714800)	2 lbs.	\$ 96

LP & NG Kits have tapered thread orifices and will not fit older models with straight threads.

Description	Part #	Used On Models	Ship Weight	List Price
Mounting Bracket Kit	100001381	SEP 230 thru SEP400 and HED	9 lbs.	\$ 91

HEP

HEP UNIT HEATER

DESCRIPTION	PART NUMBER	LIST PRICE	HEP50				HEP75				HEP100			HEP125			HEP150			HEP200		HEP250			HEP300					
			1	2	3	4	1	2	3	4	1	2	3	1	2	3	1	2	3	1	2	1	2	3	1	2	3			
HEAT EXCHANGER STAINLESS STEEL																														
	76711400	\$ 287	X																											
	76711500	\$ 339					X																							
	76711600	\$ 438									X																			
	76711700	\$ 514										X																		
	76708100	\$ 499														X														
	76708200	\$ 850															X													
	76711900	\$ 816																			X									
	76708300	\$ 955																									X			



2175 West Park Place Boulevard
Stone Mountain, GA 30087
www.adpnow.com