

# Switch It Up!

## G8000 Series

*Mechanical Defrost Timer*



### *An Industry Leader Since 1952*

- 2-year limited warranty
- 40 Amp, 2 HP contacts
- Time initiated. Temperature, Pressure, or Time Terminated.
- 1-6 defrost events per day
- Minimum Time Termination 4 min.
- Maximum Time Termination 110 min.
- Operating voltage:  
120 or 208-240 volt, 60 Hz.
- Spare Tripper Holder
- Tested to UL873 Standard

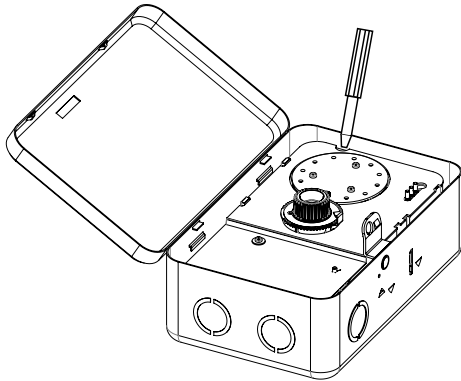
Features	G8000	Competition
Heavy-duty silver plated welded 40 amp contacts	✓	
Quick and easy installation	✓	
Easy-to-understand programming	✓	
Switching design exceeds 30,000 cycle UL873 Refrigeration standard	✓	
Encapsulated Timer module design prevents dust and dirt build up	✓	
<i>2-year limited warranty</i>	✓	

Model #	Voltage	Switching	Description
G8045-00	120 VAC	1 N.O./1 C.V.	Time Initiated.
G8045-20	208-240 VAC	1 N.O./1 C.V.	Time Terminated.
G8145-00	120 VAC	1 N.O./1 C.V.	Timer Initiated.
G8145-20	208-240 VAC	1 N.O./1 C.V.	Temperature or Pressure Terminated.

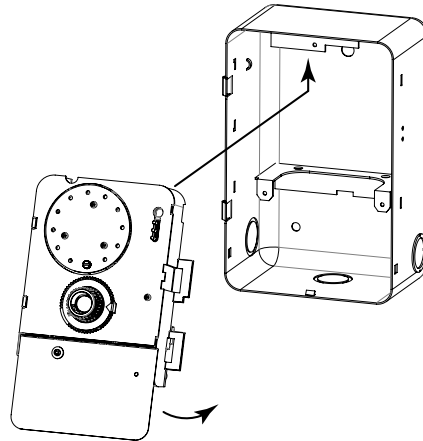
# G8000 Series

## Mechanical Defrost Timer

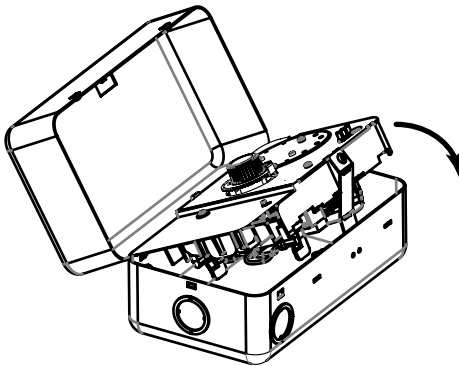
*Snaps into most existing enclosures*



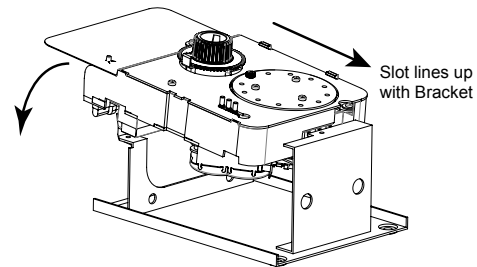
Mechanism can be easily removed from enclosure



Installs in bracket in enclosures



Mechanism snaps into most existing enclosures



Mechanism easily snaps on a bracket

Replaces the Following			
Intermatic	Paragon	SUPCO	Precision
G8045-00	8045-00	S804500	6045-00
G8045-20	8045-20	S804520	6045-20
G8145-00	8145-00	S814500	6145-00
G8145-20	8145-20	S814520	6145-20