

# TITAN HD™

USA-MADE MOTOR RUN CAPACITORS



Longevity you can count on; craftsmanship to be proud of.



# HARDWORKING.

## The motors run, these colors don't.

Packard has received the call to create a USA made capacitor to provide contractors confidence on the job. Our answer is Titan HD™.

We bring a Heavy Duty motor run capacitor which is manufactured right here in the United States with U.S. materials and U.S. quality control.

With a substantial **60,000 hours of operating life**, it is just as hardworking as those who made them.



“

We added the Titan HD™ capacitors over a year ago and have watched our capacitor sales grow tremendously. We've found that many of our customers prefer the quality of the Titan HD™ over other brands and they consciously buy Titan because they want to support U.S. manufactured products.”

Brian Nichols, VP Sales & Operations  
Johnstone Supply, Ft. Lauderdale

Voltage (AC,60Hz)	Up to 440VAC
Capacitance Range	2μF-100μF
Standard Tolerance	±10%
Capacitance Variation Through Life	±2%
Dissipation Factor 60Hz@25°C	0.10% Max
Storage Temperature	-40°C to 90°C
Operating Temperature	-40°C to 70°C
Life Expectancy	94% survival after 60,000 Hrs
Leakage Current	
	• 0 to 50μF: 150μA Max Per EIA 456A, Paragraph 3.8.4.2
	• 56-100μF: 300μA Max Per EIA 456A, Paragraph 3.8.4.2

- ✓ Manufactured using state-of-the-art, metalized polypropylene film technology for self-restoration in the event of a breakdown.
- ✓ Sophisticated UL-approved pressure sensitive interrupter to remove the capacitor from the circuit at end of life.
- ✓ Patented, environmentally-friendly oil prevents corrosion and aids in optimum heat transfer.



**Titan HD Capacitor Offering:**

- ✓ Single and Dual Sections
- ✓ Round and Oval sizes
- ✓ Voltage: 370 or 440

“Titan HD™ capacitors have reliability data backed up by the most extensive life testing in the industry.”

*Charlie Swett, Vice President Global Sourcing  
Packard, Inc.*

### USA QUALITY PRACTICES THAT MEASURE UP.

**Productive:** Manufactured using Lean Six Sigma operations practices to reduce defects, and improve production cycle times.

**100% Tested.** Every single Titan HD™ capacitor that comes off the line undergoes 100% electrical testing prior to shipping. This includes capacitance testing, dissipation factor testing, voltage test terminal to case and voltage test terminal to terminal.

**Thorough.** Accelerated Life Test Data is generated from 2000 hours of testing at 125% voltage rating and 80°C.

**Results Driven:** Titan HD™ capacitors are rated for 60,000 hours of operating life with a 94% survival rate when operated at the rated voltage, 60Hz, and temperature.



# RED, WHITE & PROVEN



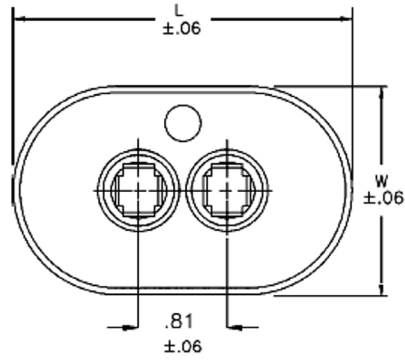
**TITAN HD™ CAPACITORS ARE BUILT TO THE TOUGHEST INTERNATIONAL STANDARDS AND MEET ALL INDUSTRY REGULATORY APPROVALS.**

- Meets the rigorous EIA-456-A industry standard for performance and quality.
- Titan HD capacitors feature UL-810 fault current protection.
- UL, cUL
- RoHS compliant which guarantees a safe use of Lead (Pb), Mercury (Hg), Cadmium (Cd), Hexavalent chromium (Cr(VI)), PolyBrominated Biphenyls (PBB) and PolyBrominated Diphenyl Ethers (PBDE).

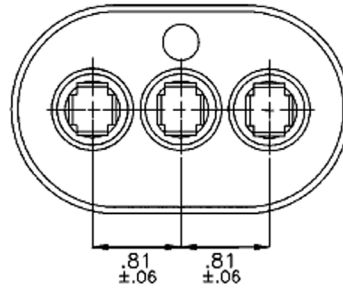


# OV AL CONFIGURATIONS

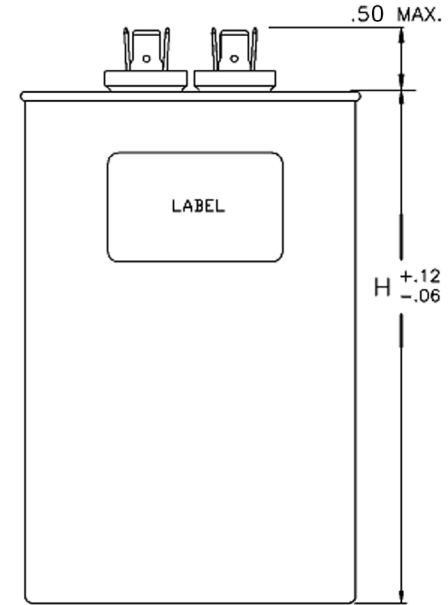
### Single Cover



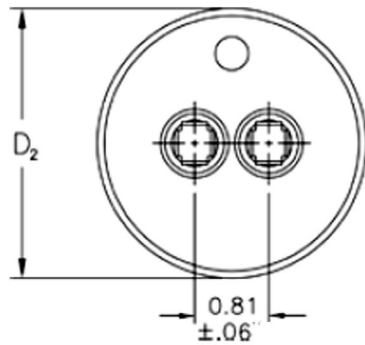
### Dual Cover



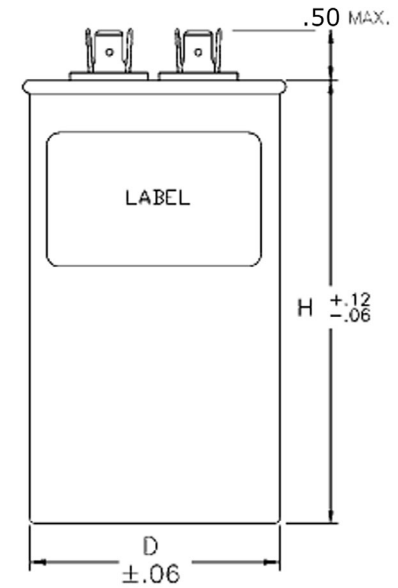
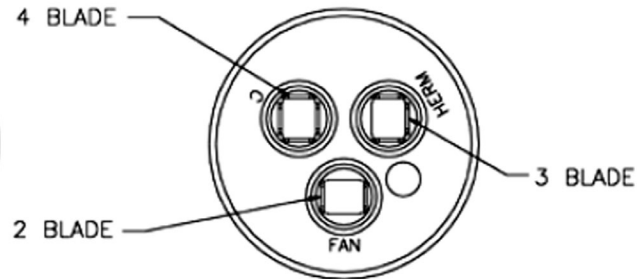
Tolerance on all case dimensions is  $\pm 0.06$ .



### Single Cover

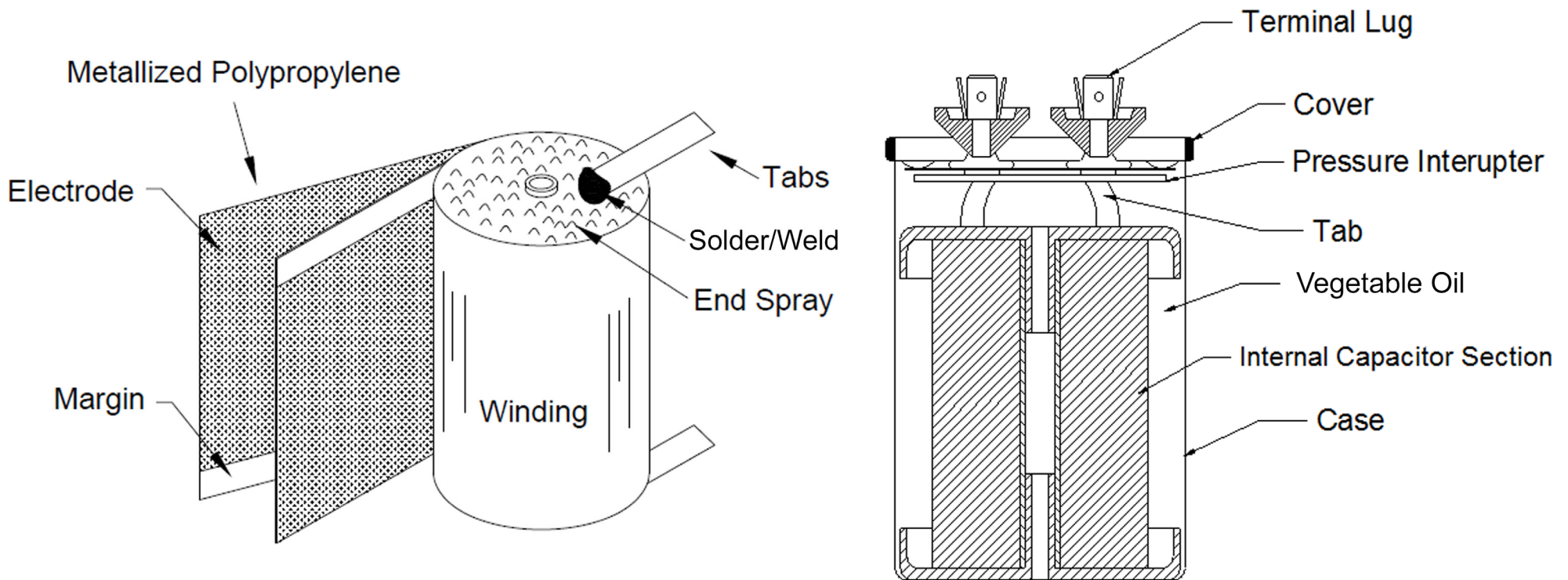


### Dual Cover



# ROUND CONFIGURATIONS

# TITAN HD™ CROSS SECTION DRAWINGS



## TITAN HD™ SINGLE SECTION OVAL

## TITAN HD™ DUAL SECTION OVAL

# TITAN HD™ CROSS REFERENCE - OVAL

Item ID	MFD	Can Size	Industry No.
<b>Titan HD 370 Volt</b>			
POC2A	2	1	12002
POC3A	3	2	12003
POC4A	4	2	12004
POC5A	5	2	12005
POC6A	6	2	12006
POC7.5A	7.5	2	12007
POC10A	10	3	12008
POC12.5A	12.5	3	12009
POC15A	15	2	12010
POC17.5A	17.5	3	12012
POC20A	20	3	12014
POC25A	25	3	12015
POC30A	30	4	12017
POC35A	35	9	12018
POC40A	40	12	12021
POC45A	45	12	12023
POC50A	50	8	12025
POC55A	55	8	12024
POC60A	60	20	12087
POC70A	70	21	12089
POC80A	80	8	12090

Item ID	MFD	Can Size	Industry No.
<b>Titan HD 440 Volt</b>			
POCF2A	2	2	12026
POCF2.5A	2.5	2	12019
POCF3A	3	2	12027
POCF4A	4	2	12028
POCF5A	5	2	12029
POCF6A	6	2	12030
POCF7.5A	7.5	3	12031
POCF10A	10	2	12032
POCF12.5A	12.5	2	12033
POCF15A	15	2	12034
POCF17.5A	17.5	9	12036
POCF20A	20	4	12037
POCF25B	25	4	12040
POCF30A	30	5	12041
POCF35A	35	5	12043
POCF40A	40	5	12045
POCF45A	45	8	12048
POCF50A	50	8	12049
POCF55A	55	8	12050
POCF60A	60	13	12051
POCF70A	70	13	12130
POCF80A	80	13	12140

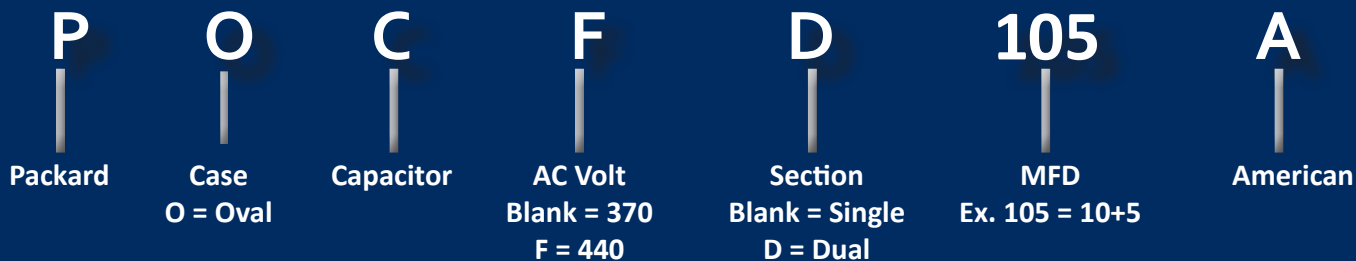
Item ID	MFD	Can Size	Industry No.
<b>Titan HD 370 Volt</b>			
POCD153A	15+3	6	12141
POCD154A	15+4	6	12056
POCD155A	15+5	6	12057
POCD1510A	15+10	6	12058
POCD1755A	17.5+5	6	12060
POCD203A	20+3	6	12061
POCD204A	20+4	6	12062
POCD205A	20+5	6	12063
POCD2010A	20+10	7	12064
POCD2015A	20+15	7	12164
POCD253A	25+3	7	12142
POCD254A	25+4	7	12065
POCD255A	25+5	6	12066
POCD2575A	25+7.5	6	12143
POCD258A	25+8	7	12131
POCD2510A	25+10	6	12167
POCD2515A	25+15	10	12133
POCD303A	30+3	10	12144
POCD305A	30+5	8	12069
POCD3075A	30+7.5	10	12146
POCD3010A	30+10	8	12147
POCD353A	35+3	10	12148
POCD354A	35+4	10	12071
POCD355A	35+5	8	12072
POCD3575A	35+7.5	10	12149
POCD3510A	35+10	8	12150
POCD403A	40+3	11	12151
POCD404A	40+4	11	12158
POCD405A	40+5	8	12171
POCD4075A	40+7.5	8	12152
POCD4010A	40+10	8	12134
POCD455A	45+5	8	12174
POCD4575A	45+7.5	8	12153
POCD4510A	45+10	14	12136
POCD4515A	45+15	14	12137
POCD505A	50+5	14	12138
POCD555A	55+5	14	12154
POCD5575A	55+7.5	14	12155
POCD605A	60+5	14	12139
POCD6075A	60+7.5	13	12156
POCD6010A	60+10	14	12157

Item ID	MFD	Can Size	Industry No.
<b>Titan HD 440 Volt</b>			
POCFD105A	10+5	6	12165
POCFD154A	15+4	6	12270
POCFD155A	15+5	6	12271
POCFD1510A	15+10	7	12177
POCFD205A	20+5	7	12180
POCFD2015A	20+15	8	12083
POCFD255A	25+5	8	12184
POCFD2575A	25+7.5	11	12182
POCFD2510A	25+10	10	12183
POCFD2515A	25+15	11	12186
POCFD304A	30+4	8	12181
POCFD305A	30+5	8	12187
POCFD3075A	30+7.5	8	12038
POCFD3010A	30+10	11	12035
POCFD353A	35+3	14	12085
POCFD354A	35+4	11	12179
POCFD355A	35+5	8	12185
POCFD3575A	35+7.5	8	12188
POCFD3510A	35+10	14	12272
POCFD403A	40+3	15	12080
POCFD405A	40+5	13	12086
POCFD4075A	40+7.5	13	12189
POCFD4010A	40+10	13	12273
POCFD455A	45+5	13	12190
POCFD4575A	45+7.5	13	12274
POCFD505A	50+5	13	12108
POCFD5075A	50+7.5	22	12013
POCFD555A	55+5	16	12275
POCFD5510A	55+10	16	12276
POCFD605A	60+5	16	12109
POCFD6510A	65+10	23	12101
POCFD805A	80+5	19	12297
POCFD8075A	80+7.5	19	12298

### Notes:

- Height dimension does not include terminals. Add 1/2" for terminals.
- Dimensions are subject to change. When dimensions are critical, please call.

### PART NUMBERING SYSTEM - OVAL





## TITAN HD™ SINGLE SECTION ROUND

Item ID	MFD	Can Size	Industry No.
<b>Titan HD 370 Volt</b>			
PRC5A	5	1	12095
PRC7.5A	7.5	1	12097
PRC10A	10	1	12098
PRC12.5A	12.5	1	12099
PRC15A	15	1	12210
PRC17.5A	17.5	2	12212
PRC20A	20	1	12214
PRC25A	25	1	12215
PRC30A	30	1	12217
PRC31.5A	31.5	7	—
PRC35A	35	3	12218
PRC40A	40	3	12221
PRC45A	45	3	12223
PRC50A	50	10	12225
PRC55A	55	12	12226
PRC60A	60	5	12227
PRC70A	70	14	12229
PRC80A	80	11	12199
PRC100A	100	15	12116

Item ID	MFD	Can Size	Industry No.
<b>Titan HD 440 Volt</b>			
PRCF5A	5	1	12105
PRCF7.5A	7.5	1	12107
PRCF10A	10	1	12232
PRCF12.5A	12.5	1	12233
PRCF15A	15	1	12234
PRCF17.5A	17.5	4	12236
PRCF20A	20	1	12237
PRCF25A	25	1	12240
PRCF30A	30	1	12241
PRCF35A	35	5	12243
PRCF40A	40	5	12245
PRCF45A	45	5	12248
PRCF50A	50	11	12251
PRCF55A	55	11	12252
PRCF60A	60	11	12254
PRCF65A	65	17	—
PRCF70A	70	13	12258
PRCF80A	80	13	12259
PRCF90A	90	21	12068

## TITAN HD™ DUAL SECTION ROUND

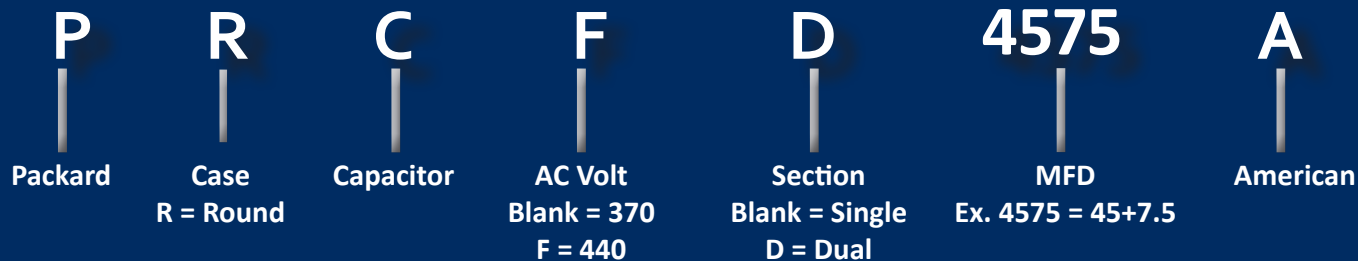
Item ID	MFD	Can Size	Industry No.
<b>Titan HD 370 Volt</b>			
PRCD253A	25+3	6	12242
PRCD254A	25+4	9	12175
PRCD255A	25+5	6	12261
PRCD303A	30+3	6	12244
PRCD304A	30+4	6	12263
PRCD305A	30+5	6	12264
PRCD3075A	30+7.5	6	12224
PRCD3010A	30+10	6	12228
PRCD353A	35+3	6	12082
PRCD354A	35+4	6	12231
PRCD355A	35+5	6	12266
PRCD3575A	35+7.5	9	12235
PRCD3510A	35+10	8	12238
PRCD403A	40+3	8	12074
PRCD404A	40+4	10	12267
PRCD405A	40+5	8	12178
PRCD4075A	40+7.5	8	12268
PRCD4010A	40+10	10	12246
PRCD453A	45+3	8	12073
PRCD455A	45+5	8	12269
PRCD4575A	45+7.5	8	12249
PRCD4510A	45+10	10	12250
PRCD503A	50+3	8	12075
PRCD505A	50+5	8	12191
PRCD5075A	50+7.5	8	12192
PRCD5010A	50+10	8	12239
PRCD555A	55+5	8	12193
PRCD5575A	55+7.5	8	12194
PRCD5510A	55+10	11	12067
PRCD605A	60+5	11	12195
PRCD6075A	60+7.5	11	12196
PRCD6010A	60+10	11	12265
PRCD805A	80+5	11	12197
PRCD8075A	80+7.5	15	12198
PRCD8010A	80+10	17	12201
PRCD80125A	80+12.5	19	12202

Item ID	MFD	Can Size	Industry No.
<b>Titan HD 440 Volt</b>			
PRCFD105A	10+5	7	12111
PRCFD205A	20+5	6	12115
PRCFD2015A	20+15	8	12112
PRCFD253A	25+3	9	—
PRCFD255A	25+5	6	12278
PRCFD2575A	25+7.5	8	12279
PRCFD2510A	25+10	10	12113
PRCFD2515A	25+15	13	12114
PRCFD303A	30+3	8	12126
PRCFD304A	30+4	8	12120
PRCFD305A	30+5	8	12281
PRCFD3075A	30+7.5	8	12282
PRCFD353A	35+3	8	12077
PRCFD354A	35+4	8	12070
PRCFD355A	35+5	8	12283
PRCFD356A	35+6	8	12119
PRCFD3575A	35+7.5	8	12284
PRCFD3510A	35+10	9	—
PRCFD403A	40+3	8	12078
PRCFD404A	40+4	16	12285
PRCFD405A	40+5	11	12286
PRCFD406A	40+6	16	12220
PRCFD4075A	40+7.5	11	12287
PRCFD4010A	40+10	9	—
PRCFD453A	45+3	11	12079
PRCFD455A	45+5	11	12288
PRCFD456A	45+6	17	12127
PRCFD4575A	45+7.5	11	12289
PRCFD4510A	45+10	9	—
PRCFD505A	50+5	11	12290
PRCFD5075A	50+7.5	11	12291
PRCFD555A	55+5	11	12292
PRCFD5575A	55+7.5	11	12293
PRCFD5510A	55+10	15	12799
PRCFD605A	60+5	15	12294
PRCFD6075A	60+7.5	15	12295
PRCFD6010A	60+10	15	12296
PRCFD60125A	60+12.5	20	12161
PRCFD705A	70+5	18	12255
PRCFD7075A	70+7.5	18	12166
PRCFD7010A	70+10	18	12169
PRCFD805A	80+5	18	12257
PRCFD8075A	80+7.5	18	12216
PRCFD8010A	80+10	18	12117

### Notes:

- Height dimension does not include terminals. Add 1/2" for terminals.
- Dimensions are subject to change. When dimensions are critical, please call.

### PART NUMBERING SYSTEM - ROUND



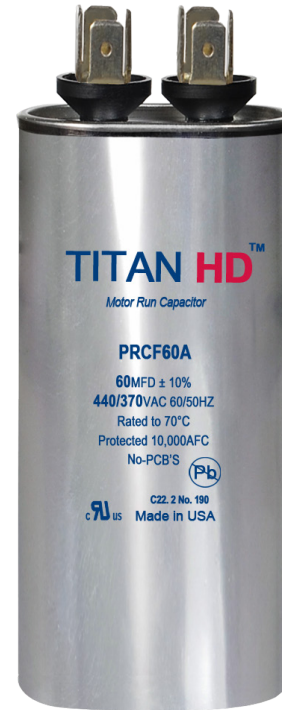
TITAN HD™ CROSS REFERENCE - ROUND

DIMENSIONS - OVAL

DIMENSIONS - ROUND



Can Size	Depth (In.)	Width (In.)	Height (In.)
<b>Can Dimension</b>			
1	2	1.25	1.5
2	2	1.25	1.56
3	2	1.25	2.19
4	2	1.25	2.88
5	2	1.25	3.75
6	2.75	1.75	2.38
7	2.75	1.75	2.75
8	2.75	1.75	2.91
9	2.75	1.75	3.13
10	2.75	1.75	3.25
11	2.75	1.75	3.75
12	2.75	1.75	3.88
13	2.75	1.75	3.91
14	2.75	1.75	4.25
15	2.75	1.75	4.75
16	2.75	1.75	4.91
17	2.75	1.75	5.78
18	2.75	1.85	2.91
19	3.5	1.75	5.78
20	3.5	2	2.75
21	3.5	2	3.25
22	3.5	2	4.75
23	3.5	2	5.88



Can Size	Diameter (In.)	Height (In.)
<b>Can Dimension</b>		
1	1.75	2.38
2	1.75	2.75
3	1.75	2.88
4	1.75	3.25
5	1.75	3.75
6	2	2.63
7	2	2.75
8	2	2.88
9	2	3.25
10	2	3.75
11	2	3.88
12	2	4.25
13	2	4.75
14	2	5.25
15	2.5	2.88
16	2.5	3.25
17	2.5	3.75
18	2.5	3.91
19	2.5	4.25
20	2.5	4.75
21	2.5	5.88

“W

e know that customers are concerned about failure rates, and consumer confidence in capacitors has become quite segmented. Packard wants to address the concerns of all of our customers and we are confident Titan HD™ will satisfy the needs of those who are looking to stock and purchase a durable, American-made product.”

Tom Campbell, CEO & Owner  
Packard, Inc.

TITAN HD™ DIMENSIONS



# DEDICATED TO SERVICE.

**Longevity you can count on;  
Craftsmanship to be proud of.**

Packard proudly stands behind our products.

We warranty Titan HD™ capacitors against manufacture defect and premature failure.

To Packard, capacitors are not just one-off purchases. We treat each order as a relationship, offering our well recognized customer service and product support during and after the sale.



For over 53-years, Packard has been a master distributor of HVACR solutions for manufacturers all over the world. Its extensive history with the strongest domestic suppliers and vast experience with global sourcing, allows Packard to bring wholesalers innovative, high quality products. Packard's brand offering includes top industry names and its own exclusive private-label lines. With corporate headquarters located in Kennesaw, Georgia, Packard has strategic sales offices on both coasts and in the Midwest, and maintains 39 independent manufacturers' representatives across the U.S. and Canada. Packard's unyielding dedication to providing the best service, selection and satisfaction will always be top priority.

**Kennesaw, GA**

**Local: 770 . 427 . 5765**

**Toll Free: 800 . 334 . 1769**

**Fax: 770 . 427 . 5140**

**packardonline.com**

**Packard supplies to Wholesale Distribution only**

**©2013 Packard, Inc.**