



The Green Solution

2" SureSeal® Vent-Guard

MODEL #SS214VG

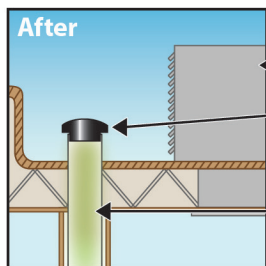
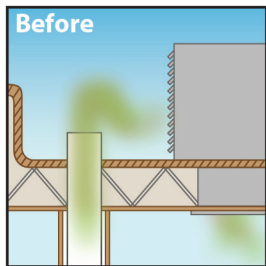
VENT STACK ODOR BARRIER



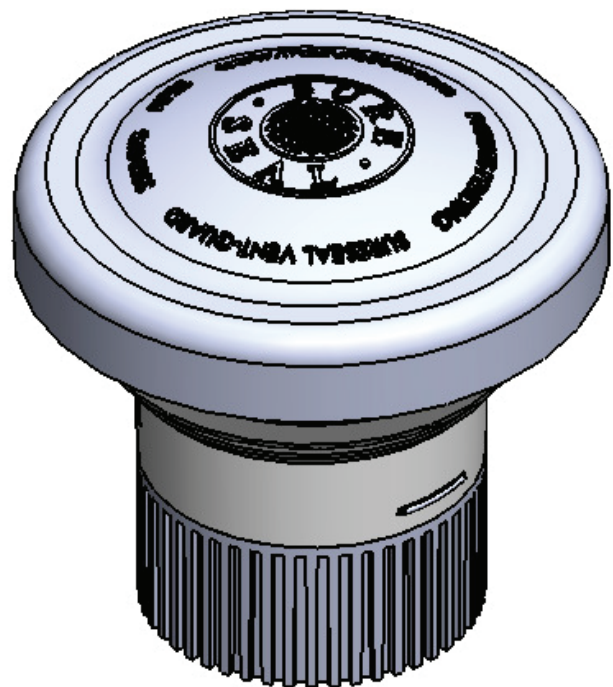
Specification: SureSeal model SS214VG roof vent stack odor barrier, HDPE (High Density Poly Ethylene) housing with Carbon Black UV protection, tested to ASSE1050-2009 3.2 and 3.4 Performance Requirements for Air Stack Sanitary Drainage Systems. EDPM rubber withstands temperatures of -50 F to 150 F.

Function: Installs in any 2" roof vent stack. Keeps noxious sewer gas odors from entering buildings thru air handlers, windows, skylights, etc. Stops grease interceptor odors.

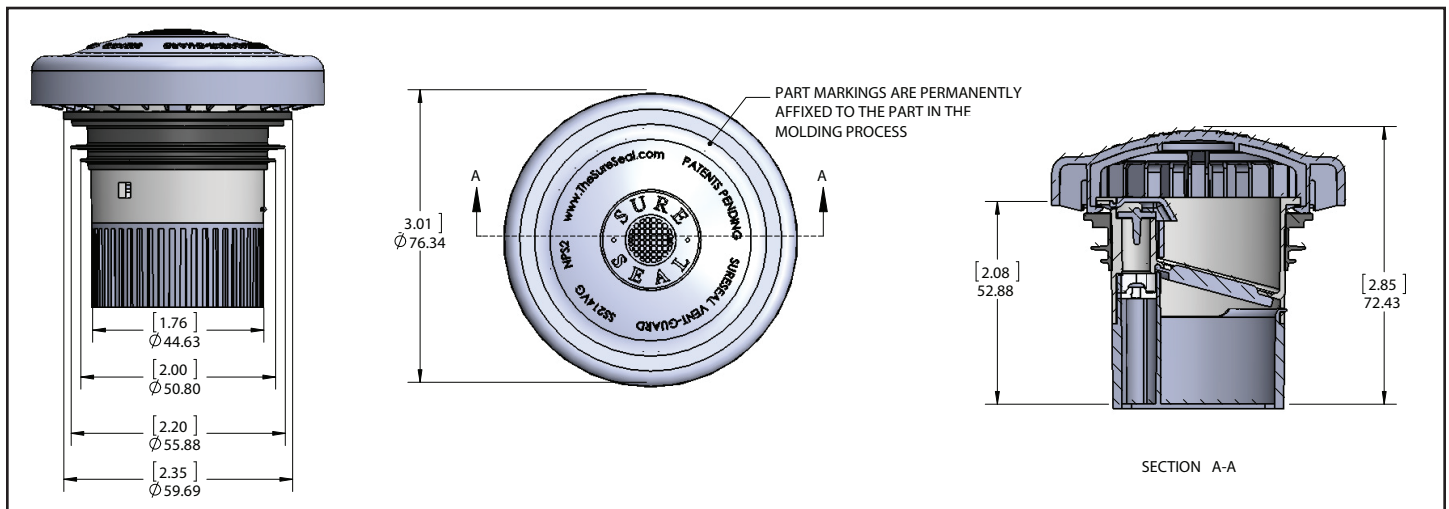
Benefits: Eliminates need for expensive and high maintenance charcoal filtering systems. Keeps odors out of air handlers, roof top gardens, lunch areas, patios, windows, sky lights etc. Features UV protection, 5 year warranty, easy press fit installation, installs in seconds.



← HVAC/Air Handler
 ← SureSeal Vent-Guard
 ← Roof
 ← Vent Stack



Patents Pending and Meets Requirements of ASSE 1050 3.2 and 3.4





The Green Solution

3" SureSeal® Vent-Guard

MODEL #SS314VG

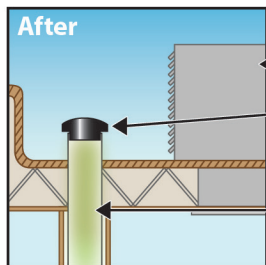
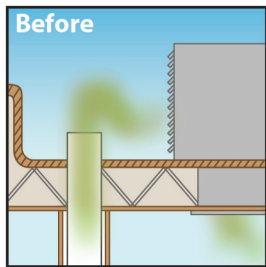
VENT STACK ODOR BARRIER



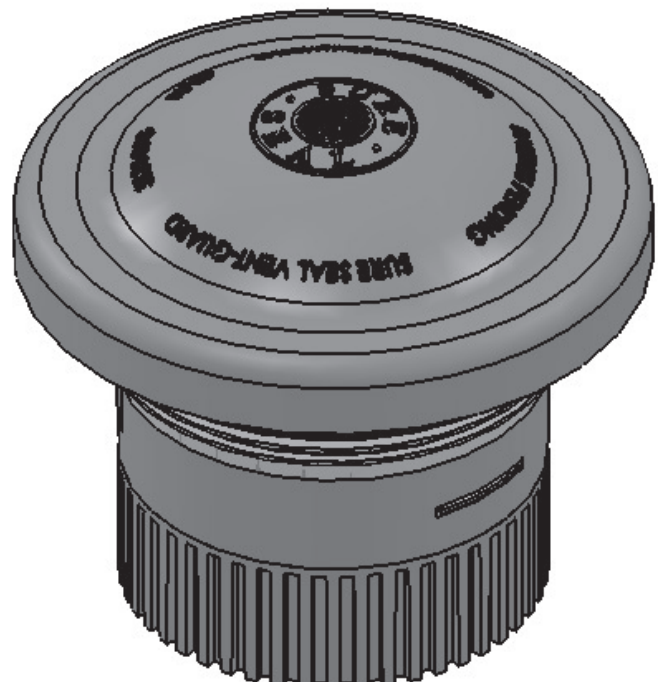
Specification: SureSeal model SS314VG roof vent stack odor barrier, HDPE (High Density Poly Ethylene) housing with Carbon Black UV protection, tested to ASSE1050-2009 3.2 and 3.4 Performance Requirements for Air Stack Sanitary Drainage Systems. EDPM rubber withstands temperatures of -50 F to 150 F.

Function: Installs in any 3" roof vent stack. Keeps noxious sewer gas odors from entering buildings thru air handlers, windows, skylights, etc. Stops grease interceptor odors.

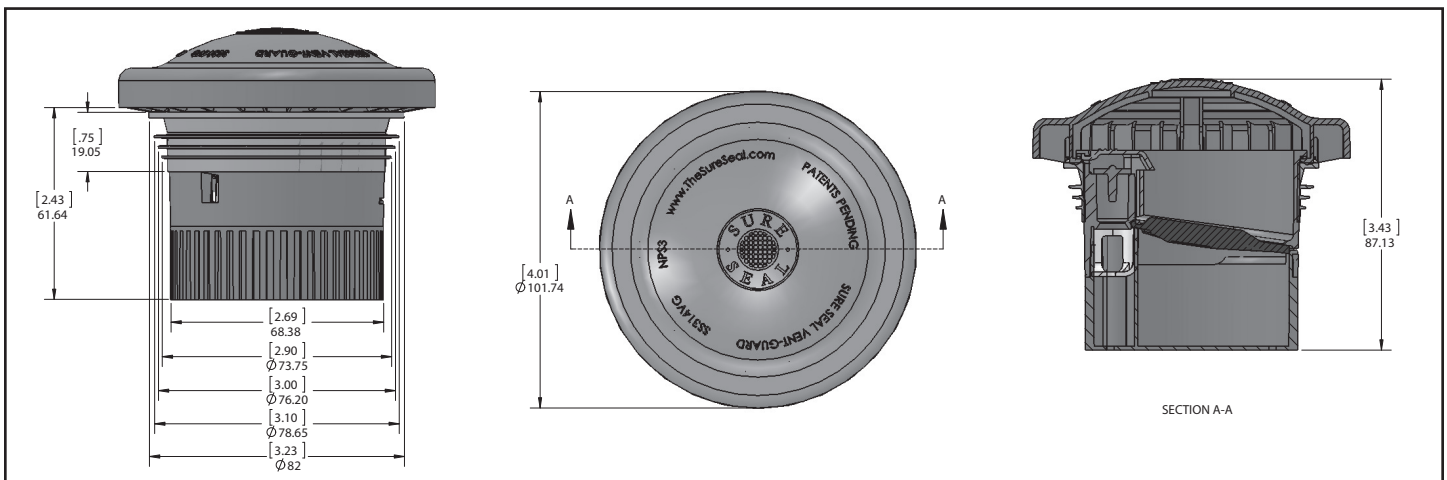
Benefits: Eliminates need for expensive and high maintenance charcoal filtering systems. Keeps odors out of air handlers, roof top gardens, lunch areas, patios, windows, sky lights etc. Features UV protection, 5 year warranty, easy press fit installation, installs in seconds.



← HVAC/Air Handler
 ← SureSeal Vent-Guard
 ← Roof
 ← Vent Stack



Patents Pending and Meets Requirements of ASSE 1050 3.2 and 3.4





The Green Solution

4" SureSeal® Vent-Guard

MODEL #SS414VG

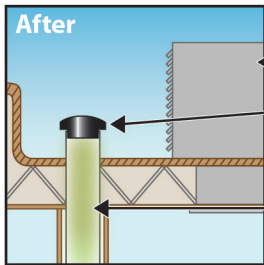
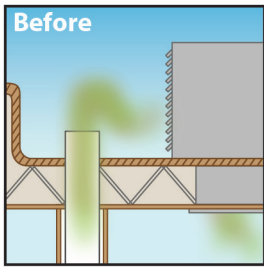
VENT STACK ODOR BARRIER



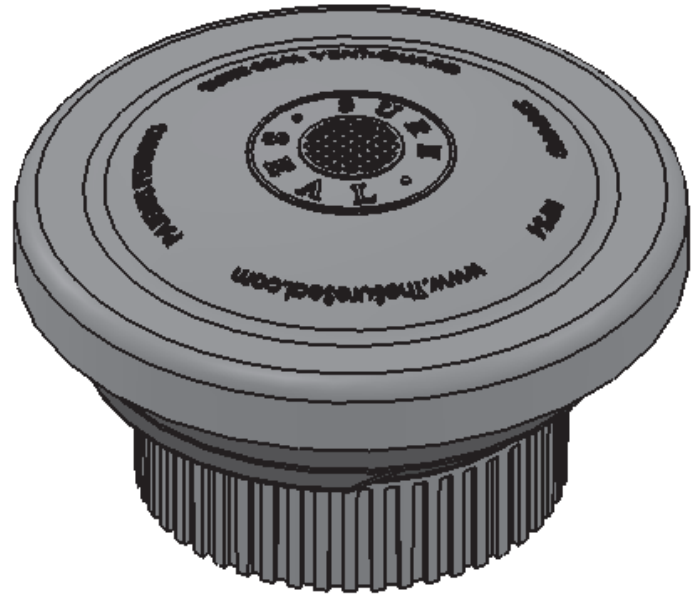
Specification: SureSeal model SS414VG roof vent stack odor, HDPE (High Density Poly Ethylene) housing with Carbon Black UV protection, tested to ASSE1050-2009 3.2 and 3.4. Performance Requirements for Air Stack Sanitary Drainage Systems. EDPM rubber withstands temperatures of -50 F to 150 F.

Function: Installs in any 4" roof vent stack. Keeps noxious sewer gas odors from roof entering buildings thru air handlers, windows, skylights, etc. Stops grease interceptor odors.

Benefits: Eliminates need for expensive and high maintenance charcoal filtering systems. Keeps odors out of air handlers, roof top gardens, lunch areas, patios, windows, sky lights etc. Features UV protection, 5 year warranty, easy press fit installation, installs in seconds.



← HVAC/Air Handler
 ← SureSeal Vent-Guard
 ← Roof
 ← Vent Stack



Patents Pending and Meets Requirements of ASSE 1050 3.2 and 3.4

