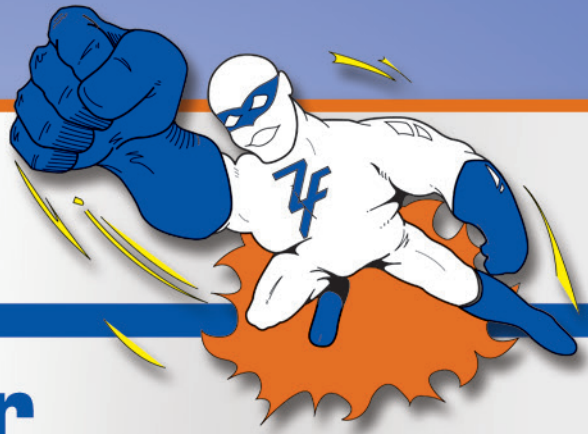


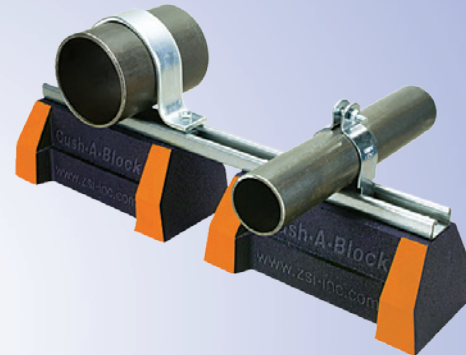
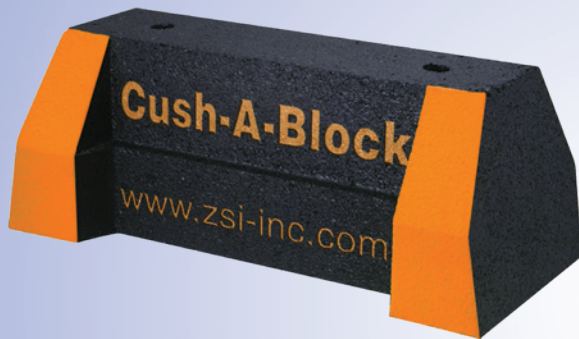


# ZSI-Foster



## ROOFTOP SUPPORT SYSTEMS

### CUSH-A-BLOCK SUPPORTS



Cush-A-Block features:

- 100% Recycled Rubber
- LEED Certifiable
- Meets the Buy America Act and American Reinvestment Recovery Act (A.R.R.A.)
- Independent Laboratory Tested to the following
  - ASTM D575 Method B – Modified, Compression/Deflection
  - ASTM D1171 Modified – Ozone Resistance
  - Freeze/Thaw Environmental Simulation
- Resistance to Freeze and Thaw
- All 4 Corners coated with reflective safety orange for visibility
- Dampens Vibrations
- Compatible with most rooftop materials

The channel for Cush-A-Block support assemblies includes a variety of options. The strut can be made in special lengths, finishes, and alloys including Aluminum, Stainless Steel both 304 & 316, PVC coated, Powder coated, Zinc Trivalent Chromium, Pre-Galvanized and Hot Dipped Galvanized.

Cush-A-Block support applications:

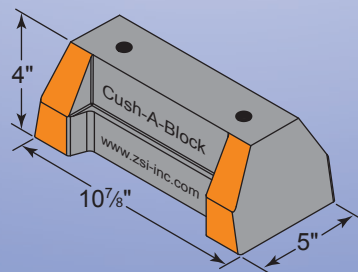
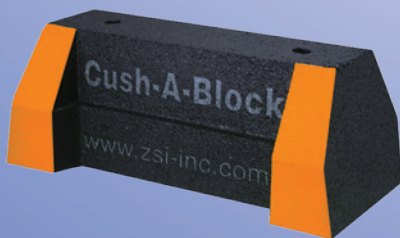
- Solar Racking
- Pipe & Conduit supports
- HVAC, Duct, Cable Tray supports
- Air Conditioning supports
- Roof Walkway supports

Note: Roof supports come pre-assembled

### CUSH-A-BLOCK SUPPORTS



#### CBS BASE SERIES



CBS-Base Series		
Part No.	Weight	Uniform Load Capacity (Lbs) *
<b>CBS</b>	4.80 lbs.	2,500 *

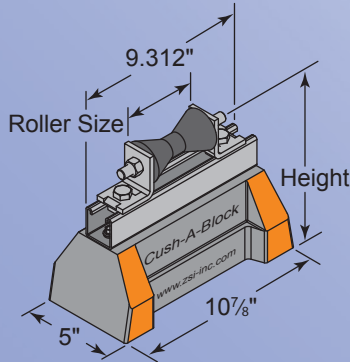
\* This load is only for the capacity of the components in this assembly. Please consult roofing manufacturer or engineer for roof load capacity

[www.zsi-foster.com](http://www.zsi-foster.com)



## CUSH-A-BLOCK SUPPORTS

CBS-PRB SERIES, WITH PIPE ROLLER

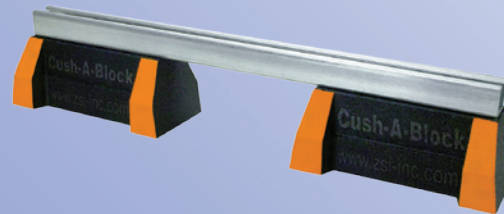


CBS-R-Roller-Series With 1 5/8" Pre-Galv. Steel Channel With Rollers						
Part No.	Pipe Size (O.D.)	Height	Overall Height to Roller Center	Base Length	Weight (Lbs)	Uniform Load Capacity (Lbs) *
CBS1PRB	1" to 2"	8"	7"	10-7/8" (1-Base)	9.13	2,500 *
CBS2PRB	2" to 3-1/2"				8.94	2,500 *
CBS3PRB	4" to 6"	8-1/8"	8-1/4"	24" (2-Bases)	9.37	2,500 *
CBS4PRB	8" to 10"	10-5/16"			21.26	2,500 *

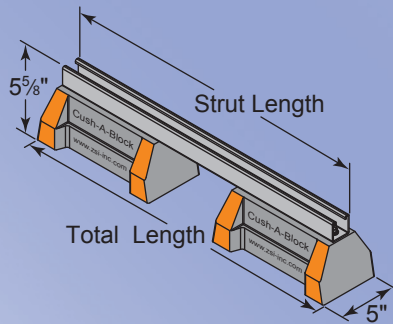
\* This load is only for the capacity of the components in this assembly. Please consult roofing manufacturer or engineer for roof load capacity

## CUSH-A-BLOCK SUPPORTS

CBS-BR BRIDGE SERIES WITH CHANNEL



Standard strut mount pipe clamps are used to secure the pipes.

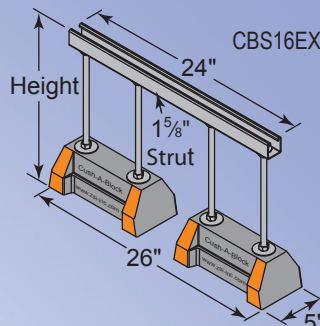
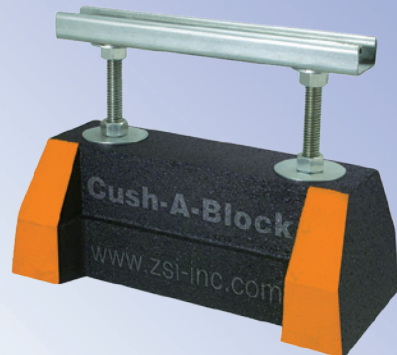
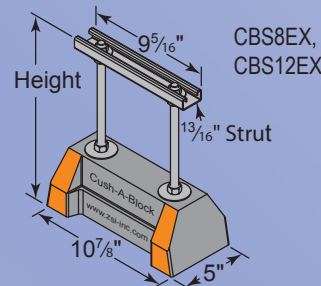


CBS-CB-Bridge Series - Bridge Length Supports With 2 CBS Bases and Channel				
Part No.	Strut Length	Total Length	Weight (Lbs)	Uniform Load Capacity (Lbs) *
CBS28BR	28"	29-3/4"	13.96	1,491*
CBS36BR	36"	37-3/4"	15.18	1,160*
CBS42BR	42"	43-3/4"	16.09	994*
CBS50BR	50"	51-3/4"	17.31	835*
CBS60BR	60"	61-3/4"	18.84	696*

\* This load is only for the capacity of the components in this assembly. Please consult roofing manufacturer or engineer for roof load capacity

## CUSH-A-BLOCK SUPPORTS

CBS-CE SERIES WITH RAISED CHANNEL



Standard strut mount pipe clamps are used to secure the pipes.

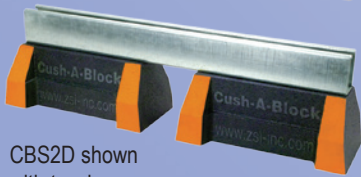
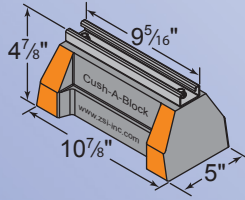
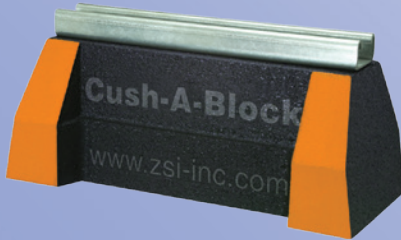
CBS-EX-Extension Series Support With Threaded Rod Extension and Channel			
Part No.	Height	Weight (Lbs)	Uniform Load Capacity (Lbs) *
CBS8EX	8"	6.89	1,000 *
CBS12EX	12"	7.34	1,000 *
CBS16EX	16"	15.85	2,000 *

\* This load is only for the capacity of the components in this assembly. Please consult roofing manufacturer or engineer for roof load capacity

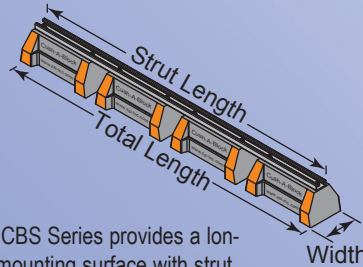


## CUSH-A-BLOCK SUPPORTS

CBS SERIES W/METAL CHANNEL



CBS2D shown with two bases



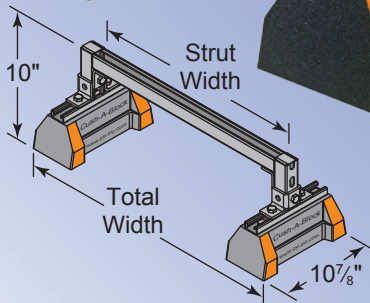
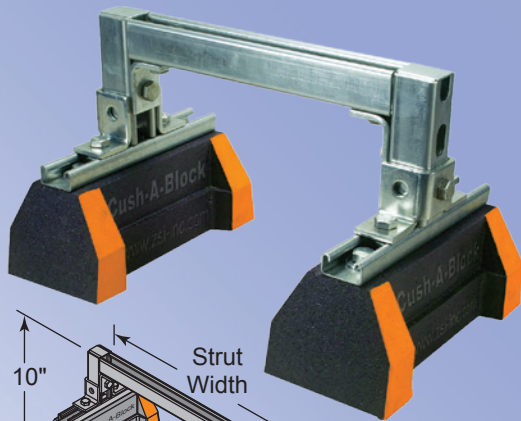
The CBS Series provides a longer mounting surface with strut lengths up to 46 3/8"

CBS-Support With 1 3/16" Pre-Galv. Steel Channel						
Part No.	No. of Bases	Height	Strut Length	Total Length	Weight (Lbs)	Uniform Load Capacity (Lbs) *
CBS1S	1	4-7/8"	9.312"	10-7/8"	5.62	2,500 *
CBS2S	2		22.375"	24"	11.56	5,000 *
CBS3S	3		34.375"	36"	17.41	7,500 *
CBS4S	4		46.375"	48"	23.25	10,000 *
CBS-Support With 1 5/8" Pre-Galv. Steel Channel						
CBS1D	1	5-5/8"	9.312"	10-7/8"	6.26	2,500 *
CBS2D	2		22.375"	24"	13.10	5,000 *
CBS3D	3		34.375"	36"	19.77	7,500 *
CBS4D	4		46.375"	48"	26.44	10,000 *
CBS Support With 2 7/16" Pre-Galv. Steel Channel						
CBS1RD	1	6-7/16"	9.312"	10-7/8"	6.69	2,500 *
CBS2RD	2		22.375"	24"	14.13	5,000 *
CBS3RD	3		34.375"	36"	21.35	7,500 *
CBS4RD	4		46.375"	48"	28.58	10,000 *

\* This load is only for the capacity of the components in this assembly. Please consult roofing manufacturer or engineer for roof load capacity

## CUSH-A-BLOCK SUPPORTS

CBS-RB SERIES WITH RAISED BRIDGE MEDIUM SUPPORT



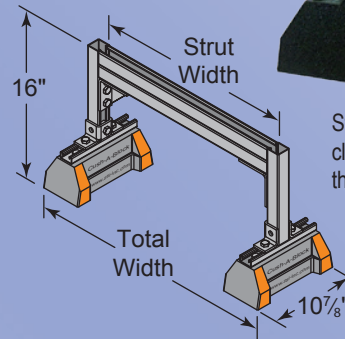
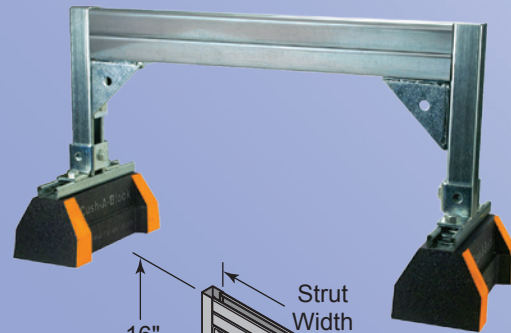
Standard strut mount pipe clamps are used to secure the pipes.

Raised Bridge Length With 2 CBS Bases 1 5/8" Pre-Galv Steel Channel					
Part No.	Base Width	Strut Width	Base Length	Weight (Lbs)	Uniform Load Capacity (Lbs) *
CBS1RB	18-5/8"	12"	10-7/8"	19.35	3,000 *
CBS2RB	30-5/8"	24"		21.05	1,500 *

\* This load is only for the capacity of the components in this assembly. Please consult roofing manufacturer or engineer for roof load capacity

## CUSH-A-BLOCK SUPPORTS

CBS-RB SERIES WITH RAISED CHANNEL HEAVY SUPPORT



Standard strut mount pipe clamps are used to secure the pipes.

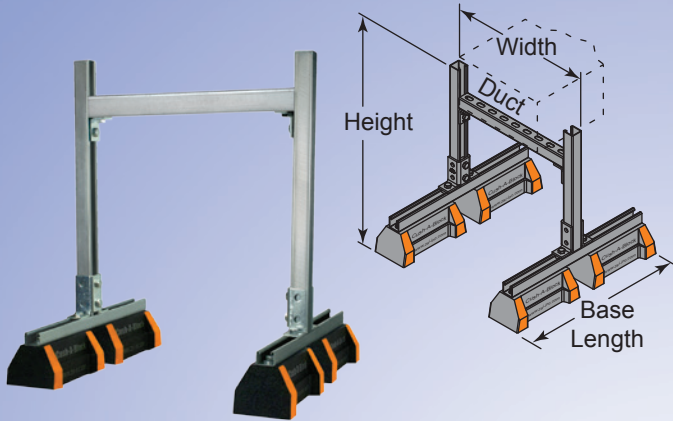
Raised Bridge Length With 2 CBS Bases 3 1/4" Back-to-Back Pre-Galv Steel Channel				
Part No.	Base Width	Strut Width	Weight (Lbs)	Uniform Load Capacity (Lbs) *
CBS3RB	30-5/8"	24"	30.62	3,500 *
CBS4RB	42-5/8"	36"	32.96	3,250 *

\* This load is only for the capacity of the components in this assembly. Please consult roofing manufacturer or engineer for roof load capacity



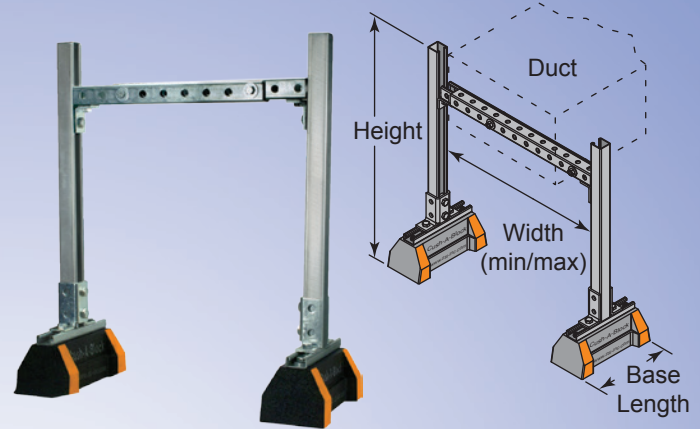
## CUSH-A-BLOCK SUPPORTS

CBS-DSFW SERIES, FIXED WIDTH  
DUCT SUPPORT



## CUSH-A-BLOCK SUPPORTS

CBS-DS SERIES, ADJUSTABLE WIDTH  
DUCT SUPPORT



CBS-DSFW Duct Support Series With Fixed Width & Adjustable Height

Model No.	Height	Width	Base Length	No. of Bases	Weight (Lbs)	Uniform Load Capacity (Lbs) *
CBS1-DSFW	23"	18"	24"	4	39.80	2042 *
CBS2-DSFW		24"			40.67	1531 *
CBS3-DSFW		36"			42.33	1021 *
CBS4-DSFW		48"			43.99	766 *
CBS5-DSFW	29"	18"	24"	4	41.58	2042 *
CBS6-DSFW		24"			42.41	1531 *
CBS7-DSFW		36"			44.08	1021 *
CBS8-DSFW		48"			45.74	766 *
CBS9-DSFW	41"	18"	24"	4	45.07	2042 *
CBS10-DSFW		24"			45.90	1531 *
CBS11-DSFW		36"			47.56	1021 *
CBS12-DSFW		48"			49.22	766 *
CBS13-DSFW	53"	18"	36"	6	62.23	2042 *
CBS14-DSFW		24"			63.06	1531 *
CBS15-DSFW		36"			64.72	1021 *
CBS16-DSFW		48"			66.38	766 *

\* This load is only for the capacity of the components in this assembly. Please consult roofing manufacturer or engineer for roof load capacity

The CBS-DS Series is designed specifically for supporting ductwork. The telescopic crossbeam provides easy size adjustments.

Standard strut mount pipe clamps are used to secure the pipes.

CBS-DS-Duct Support Series With Adjustable Width and Height

Part No.	Width		Height	Weight (Lbs)	Uniform Load at Min. Width(Lbs) *
	Min.	Max.			
CBS1DS	19-1/4"	26-3/4"	28.813"	29.61	1,909 *
CBS2DS	24-7/8"	39-7/8"		31.19	1,477 *
CBS3DS	38"	62-3/8"		34.87	967 *
CBS4DS	62-3/8"	103-5/8"		41.70	589 *
CBS5DS	19-1/4"	26-3/4"	36"	29.61	1,909 *
CBS6DS	24-7/8"	39-7/8"		31.19	1,477 *
CBS7DS	38"	62-3/8"		34.87	967 *
CBS8DS	62-3/8"	103-5/8"		41.70	589 *

\* This load is only for the capacity of the components in this assembly. Please consult roofing manufacturer or engineer for roof load capacity

DISTRIBUTED BY:



**ZSI, INC.**

45065 Michigan Ave.  
Canton, MI 48188  
Tel: (734) 844-0055  
Tel: (800) 323-7053  
Fax: (734) 844-0066