



ZSi-Foster

ZSi

THE *NEXT GENERATION*
CUSH-A-BLOCK[®]
ROOFTOP SUPPORT SYSTEMS





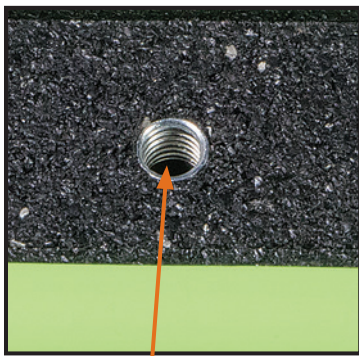
Cush-A-Block Features:

- 100% Recycled Rubber
- Qualifies for LEED Credits
- Meets the Buy America Act and American Reinvestment Recovery Act (A.R.R.A.)
- Resistance to Freeze and Thaw
- Reflective Eco-Green Stripes for Easy Visibility
- Dampens Vibrations
- Compatible With Most Rooftop Materials
- Easy to Change Strut Without Moving or Lifting Block
- Strut is Available in Corrosion Resistant Stainless Steel and Aluminum

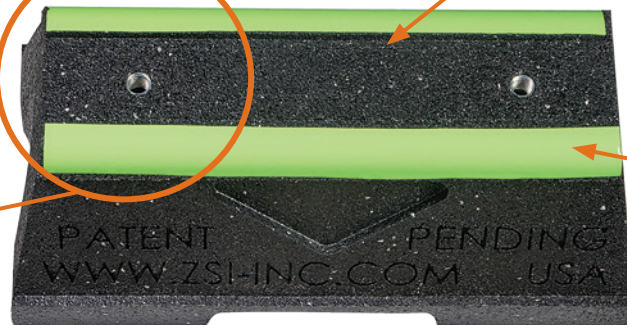
The channel for Cush-A-Block support assemblies includes a variety of options. The strut can be made in special lengths, finishes, and alloys including Aluminum, Stainless Steel both 304 & 316, PVC coated, Powder coated, Zinc Trivalent Chromium, Pre-Galvanized and Hot Dipped Galvanized.

Cush-A-Block Support Applications:

- Solar Racking
- Pipe & Conduit Supports
- HVAC, Duct, Cable Tray Supports
- Air Conditioning Supports
- Roof Walkway Supports

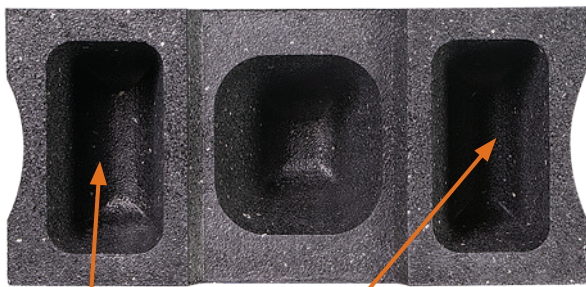


Embedded fastener reduces time to install or change strut. Use 3/8" x 1" bolts



Built in channel guide to easily install strut straight.

Eco-Green Reflective Safety Strip is molded into the block, and will not flake or peel.



Embedded nut eliminates any thru holes and prevents leaks or any rust from forming on the underside of the fastener.

Handgrip makes it very easy to move blocks.

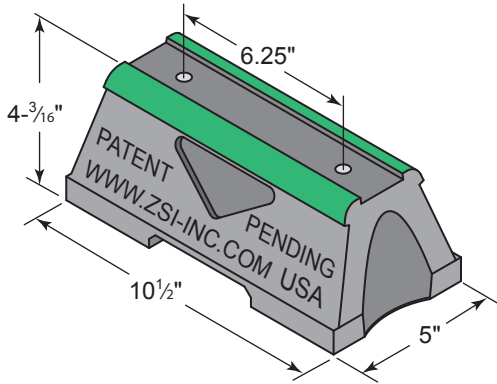


Built in slot will allow water to flow and not get trapped. Avoids water or ice dams buildup.



CUSH-A-BLOCK - CBN SERIES

PLAIN BASE



The CBN-Base Rooftop Support is UV resistant and suitable for installation on most types of roofing material or other flat surfaces. Can be used as a curb (sleeper) replacement. Screw fasteners can be used to attach one or two hole pipe straps or a piece of strut (not included).

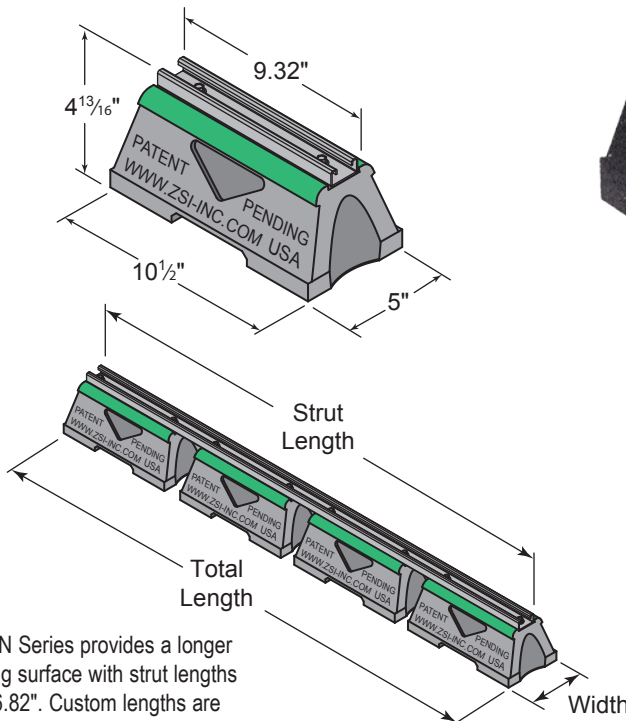


| CBN-Base Series | | |
|-----------------|----------|-------------------------------|
| Part No. | Weight | Uniform Load Capacity (Lbs) * |
| CBN | 3.2 lbs. | 2,500 * |

* This load is only for the capacity of the components in this assembly. Please consult roofing manufacturer or engineer for roof load capacity.

CUSH-A-BLOCK - CBN SERIES

SUPPORT WITH METAL CHANNEL



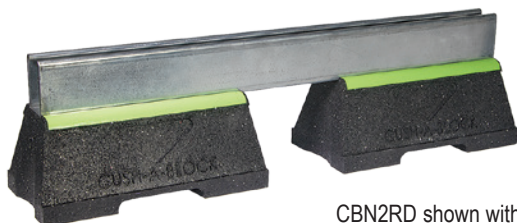
The CBN Series provides a longer mounting surface with strut lengths up to 46.82". Custom lengths are available upon request



Shown with 1 3/16" Strut

| Part No. | No. of Bases | Height | Strut Length | Total Length | Weight (Lbs) | Uniform Load Capacity (Lbs) * |
|--|--------------|----------|--------------|--------------|--------------|-------------------------------|
| CBN-Support With 1 3/16" Pre-Galv. Steel Channel | | | | | | |
| CBN1S | 1 | 4-13/16" | 9.32" | 10-1/2" | 4.0 | 2,500 * |
| CBN2S | 2 | | 22.82" | 24" | 8.4 | 5,000 * |
| CBN3S | 3 | | 34.82" | 36" | 12.6 | 7,500 * |
| CBN4S | 4 | | 46.82" | 48" | 16.9 | 10,000 * |
| CBN-Support With 1-5/8" Pre-Galv. Steel Channel | | | | | | |
| CBN1D | 1 | 5-5/8" | 9.32" | 10-1/2" | 4.7 | 2,500 * |
| CBN2D | 2 | | 22.82" | 24" | 9.9 | 5,000 * |
| CBN3D | 3 | | 34.82" | 36" | 15.0 | 7,500 * |
| CBN4D | 4 | | 46.82" | 48" | 20.0 | 10,000 * |
| CBN Support With 2-7/16" Pre-Galv. Steel Channel | | | | | | |
| CBN1RD | 1 | 6-7/16" | 9.32" | 10-1/2" | 5.1 | 2,500 * |
| CBN2RD | 2 | | 22.82" | 24" | 10.9 | 5,000 * |
| CBN3RD | 3 | | 34.82" | 36" | 16.6 | 7,500 * |
| CBN4RD | 4 | | 46.82" | 48" | 22.2 | 10,000 * |

* This load is only for the capacity of the components in this assembly. Please consult roofing manufacturer or engineer for roof load capacity.

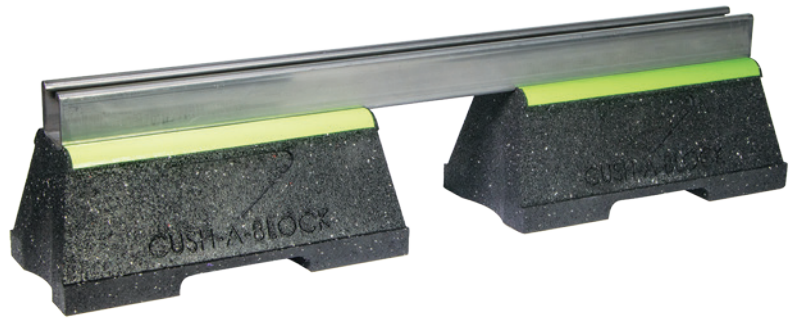
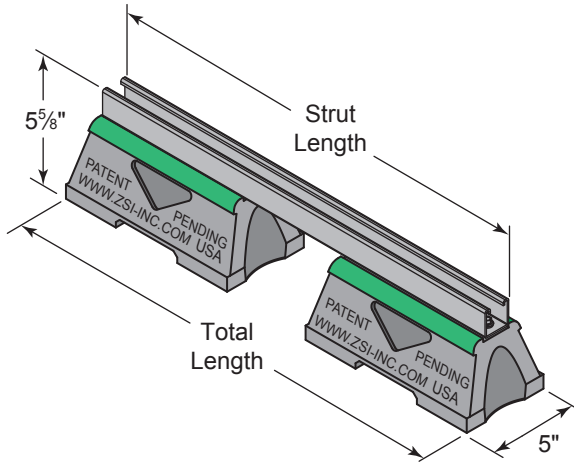


CBN2RD shown with two bases



CUSH-A-BLOCK - CBN-BR BRIDGE SERIES

SUPPORT WITH CHANNEL



Like all of the Cush-A-Block supports, the CBN-BR Bridge Rooftop Supports are perfect for supporting natural gas and refrigeration piping systems, cable tray, electrical conduit, multiple lines, HVAC equipment and many other applications.

The CBN-BR Series provides a longer mounting surface with strut lengths up to 60". Custom lengths are available upon request.

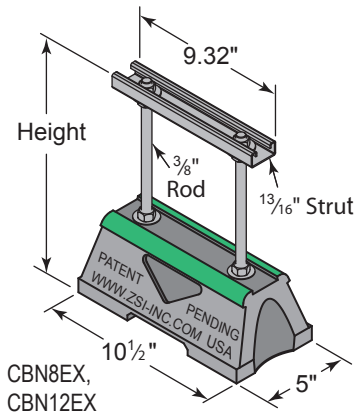
Standard strut mount pipe clamps are used to secure the pipes.

| CBN-CB-Bridge Series Bridge Length Supports with 2 CBN Bases and Strut | | | | |
|---|--------------|--------------|--------------|-------------------------------|
| Part No. | Strut Length | Total Length | Weight (Lbs) | Uniform Load Capacity (Lbs) * |
| CBN28BR | 28" | 29.18" | 10.8 | 1,491* |
| CBN36BR | 36" | 37.18" | 12.0 | 1,160* |
| CBN42BR | 42" | 43.18" | 12.9 | 994* |
| CBN50BR | 50" | 51.18" | 14.1 | 835* |
| CBN60BR | 60" | 61.18" | 15.6 | 696* |

* This load is only for the capacity of the components in this assembly. Please consult roofing manufacturer or engineer for roof load capacity.

CUSH-A-BLOCK - CBN-CE SERIES

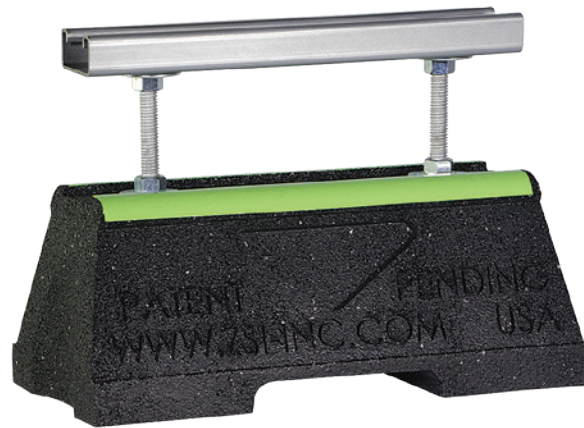
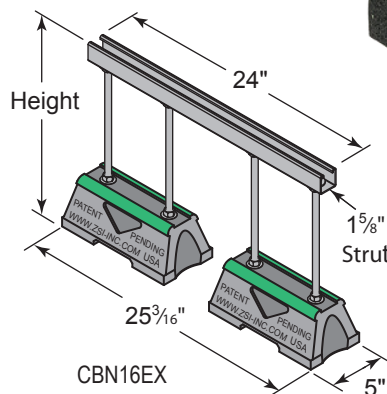
SUPPORT WITH RAISED CHANNEL



CBN-BR Extension Rooftop Supports are perfect for supporting natural gas and refrigeration piping systems, cable tray, electrical conduit, multiple lines, HVAC equipment and many other applications.

Standard strut mount pipe clamps are used to secure the pipes.

Custom lengths are available upon request.



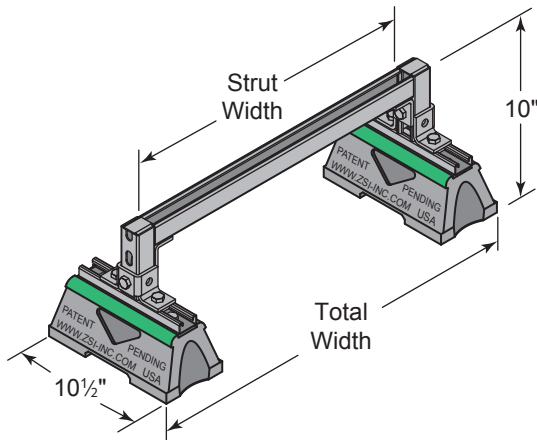
| CBN-EX-Extension Series Support With 3/8" Threaded Rod Extension and Channel | | | | |
|---|--------|------------|--------------|-------------------------------|
| Part No. | Height | Strut Size | Weight (Lbs) | Uniform Load Capacity (Lbs) * |
| CBN8EX | 8" | 1 3/16" | 5.3 | 1,000 * |
| CBN12EX | 12" | | 5.7 | 1,000 * |
| CBN16EX | 16" | 1-5/8" | 12.7 | 2,000 * |

* This load is only for the capacity of the components in this assembly. Please consult roofing manufacturer or engineer for roof load capacity.



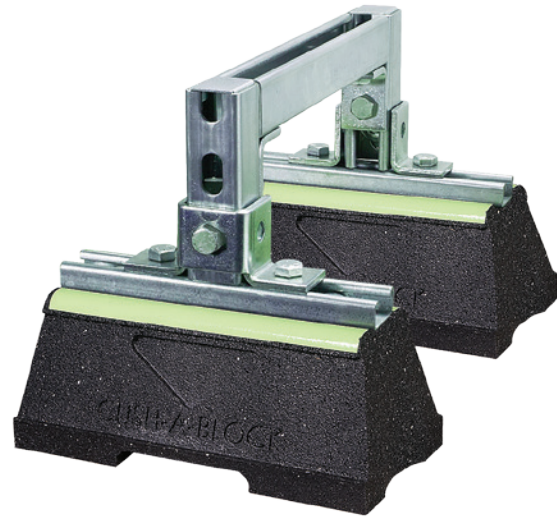
CUSH-A-BLOCK - CBN-RB SERIES

SUPPORT WITH RAISED BRIDGE MEDIUM SUPPORT



The CBN-RB Medium Rooftop Supports can support natural gas and refrigeration piping systems, cable tray, electrical conduit, multiple lines, HVAC equipment and many other applications. They are designed for rooftop applications requiring a heavier load bearing capacity, and are suitable for most types of roofing material or other flat surfaces. Custom lengths are available upon request.

Standard strut mount pipe clamps are used to secure the pipes.

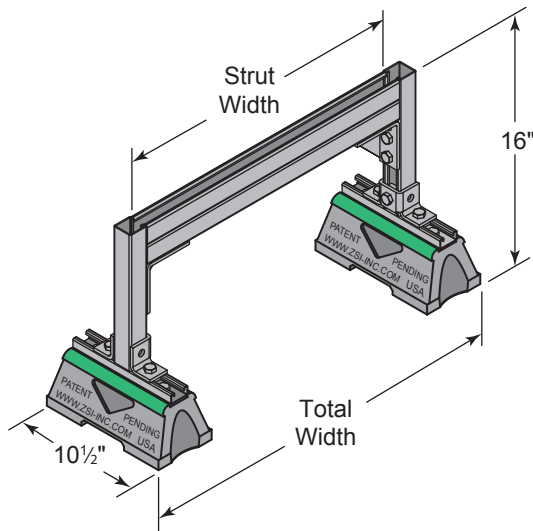


| Raised Bridge Medium Support With 2 CBN Bases & 1 5/8" Pre-Galv Steel Channel | | | | | |
|--|-------------|-------------|-------------|--------------|-------------------------------|
| Part No. | Total Width | Strut Width | Base Length | Weight (Lbs) | Uniform Load Capacity (Lbs) * |
| CBN1RB | 18.65" | 12" | 10-1/2" | 16.2 | 3,000 * |
| CBN2RB | 30.65" | 24" | | 17.9 | 1,500 * |

* This load is only for the capacity of the components in this assembly. Please consult roofing manufacturer or engineer for roof load capacity.

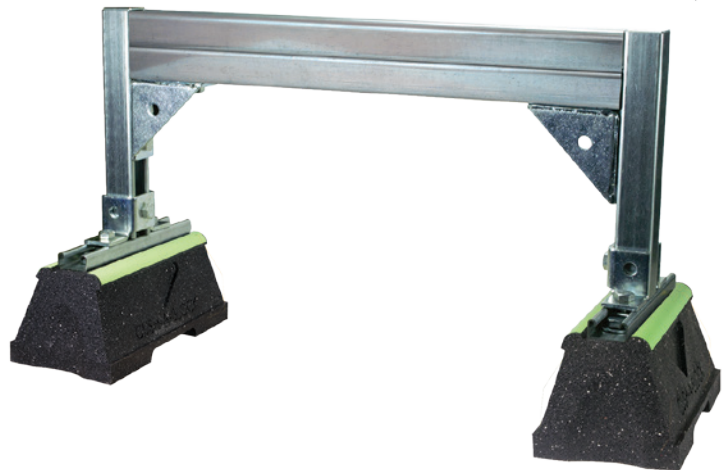
CUSH-A-BLOCK - CBN-RB SERIES

SUPPORT WITH RAISED CHANNEL HEAVY SUPPORT



The CBN-RB Heavy Rooftop Supports is designed for rooftop applications requiring a heavier load bearing capacity. It is suitable for most types of roofing material or other flat surfaces. Custom lengths are available upon request.

Standard strut mount pipe clamps are used to secure the pipes.

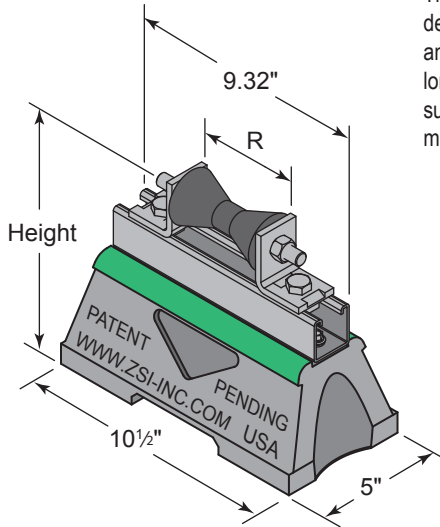


| Raised Bridge Heavy Support With 2 CBN Bases & 3/4" Back-to-Back Pre-Galv Steel Channel | | | | |
|--|-------------|-------------|--------------|-------------------------------|
| Part No. | Total Width | Strut Width | Weight (Lbs) | Uniform Load Capacity (Lbs) * |
| CBN3RB | 30.65" | 24" | 27.4 | 3,500 * |
| CBN4RB | 42.65" | 36" | 29.8 | 3,250 * |

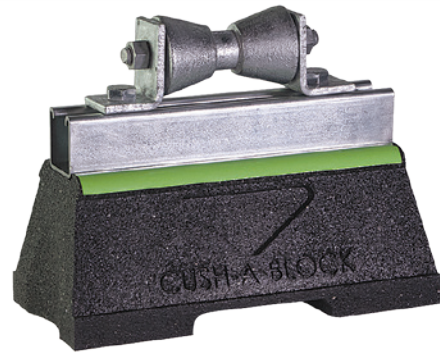
* This load is only for the capacity of the components in this assembly. Please consult roofing manufacturer or engineer for roof load capacity.

CUSH-A-BLOCK - CBN-PRB SERIES

SUPPORT WITH PIPE ROLLER



The CBN-PRB Rooftop Supports are designed for superior support of natural gas and refrigeration pipes. The roller allows for longitudinal movements of the pipe. This support is suitable for most types of roofing material or other flat surfaces.

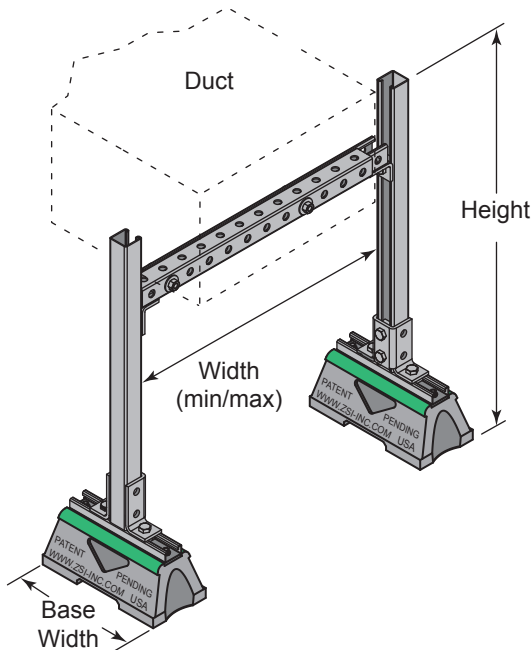


| CBN-R-Roller-Series With 1 5/8" Pre-Galv. Steel Channel With Rollers | | | | | | |
|--|--------------------|----------|---------------------------------|------------------|--------------|-------------------------------|
| Part No. | R Pipe Size (O.D.) | Height | Overall Height to Roller Center | Base Length | Weight (Lbs) | Uniform Load Capacity (Lbs) * |
| CBN1PRB | 1" to 2" | 8" | 7" | 10-1/2" (1-Base) | 7.5 | 2,500 * |
| CBN2PRB | 2" to 3-1/2" | | | | 7.3 | 2,500 * |
| CBN3PRB | 4" to 6" | 8-1/8" | 8-1/4" | 24" (2-Bases) | 7.8 | 2,500 * |
| CBN4PRB | 8" to 10" | 10-5/16" | | | 18.1 | 2,500 * |

* This load is only for the capacity of the components in this assembly. Please consult roofing manufacturer or engineer for roof load capacity.

CUSH-A-BLOCK - CBN-DS SERIES

ADJUSTABLE WIDTH DUCT SUPPORT



The CBN-DS Series is designed specifically for supporting duct work. The telescopic cross beam provides easy width and height adjustments.

A wide range of support widths are provided from 19-1/4" to 103-5/8" Standard strut mount pipe clamps are used to secure the pipes.

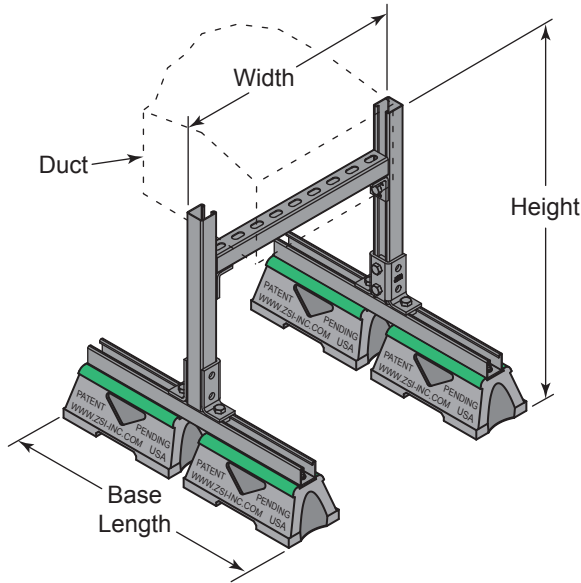
| CBN-DS-Duct Support Series With Adjustable Width and Height | | | | | |
|---|---------|----------|---------|--------------|------------------------------------|
| Part No. | Width | | Height | Weight (Lbs) | Uniform Load at Min. Width (Lbs) * |
| | Min. | Max. | | | |
| CBN1DS | 19-1/4" | 26-3/4" | 28.813" | 26.4 | 1,909 * |
| CBN2DS | 24-7/8" | 39-7/8" | | 28.0 | 1,477 * |
| CBN3DS | 38" | 62-3/8" | | 31.7 | 967 * |
| CBN4DS | 62-3/8" | 103-5/8" | | 38.5 | 589 * |
| CBN5DS | 19-1/4" | 26-3/4" | 36" | 26.4 | 1,909 * |
| CBN6DS | 24-7/8" | 39-7/8" | | 28.0 | 1,477 * |
| CBN7DS | 38" | 62-3/8" | | 31.7 | 967 * |
| CBN8DS | 62-3/8" | 103-5/8" | | 38.5 | 589 * |

* This load is only for the capacity of the components in this assembly. Please consult roofing manufacturer or engineer for roof load capacity.



CUSH-A-BLOCK - CBN-DSFW SERIES

FIXED WIDTH DUCT SUPPORT



The CBN-DS Series is designed specifically for supporting duct work. The cross beam provides easy size adjustments. Custom lengths are available upon request.

Standard strut mount pipe clamps are used to secure the pipes.

| CBN-DSF Duct Support Series With Fixed Width & Adjustable Height | | | | | | |
|--|--------|-------|-------------|--------------|--------------|-------------------------------|
| Model No. | Height | Width | Base Length | No. of Bases | Weight (Lbs) | Uniform Load Capacity (Lbs) * |
| CBN1-DSFW | 23" | 18" | 24" | 4 | 33.4 | 2042 * |
| CBN2-DSFW | | 24" | | | 34.3 | 1531 * |
| CBN3-DSFW | | 36" | | | 35.9 | 1021 * |
| CBN4-DSFW | | 48" | | | 37.6 | 766 * |
| CBN5-DSFW | 29" | 18" | 24" | 4 | 35.2 | 2042 * |
| CBN6-DSFW | | 24" | | | 36.0 | 1531 * |
| CBN7-DSFW | | 36" | | | 37.7 | 1021 * |
| CBN8-DSFW | | 48" | | | 39.3 | 766 * |
| CBN9-DSFW | 41" | 18" | 24" | 4 | 38.7 | 2042 * |
| CBN10-DSFW | | 24" | | | 39.5 | 1531 * |
| CBN11-DSFW | | 36" | | | 41.2 | 1021 * |
| CBN12-DSFW | | 48" | | | 42.8 | 766 * |
| CBN13-DSFW | 53" | 18" | 36" | 6 | 55.8 | 2042 * |
| CBN14-DSFW | | 24" | | | 56.7 | 1531 * |
| CBN15-DSFW | | 36" | | | 58.3 | 1021 * |
| CBN16-DSFW | | 48" | | | 60.0 | 766 * |

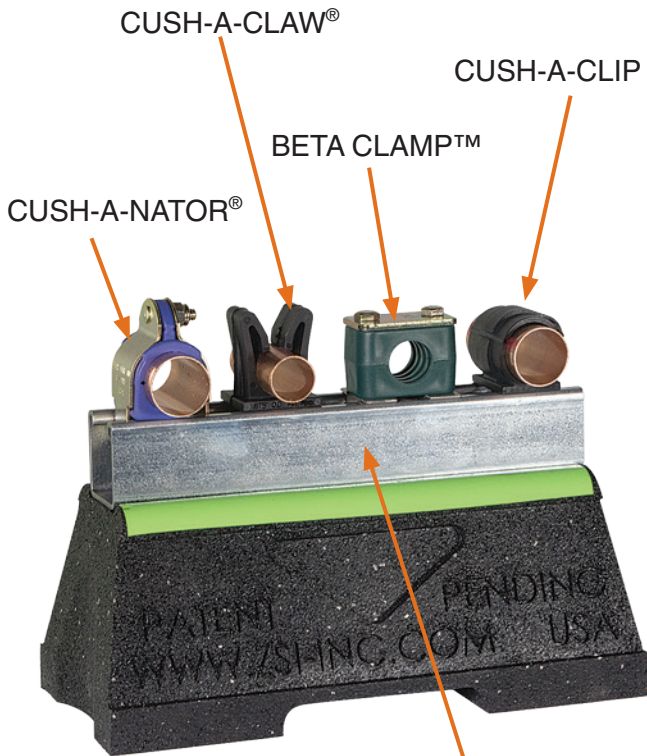
* This load is only for the capacity of the components in this assembly. Please consult roofing manufacturer or engineer for roof load capacity.



Connected.Simply

Cush-A-Block®

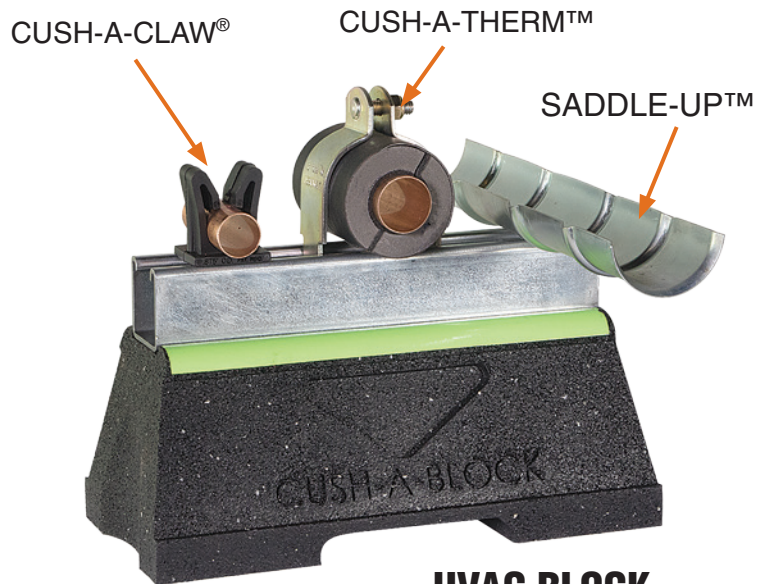
YOUR SINGLE SOURCE FOR ALL PRODUCTS SHOWN.



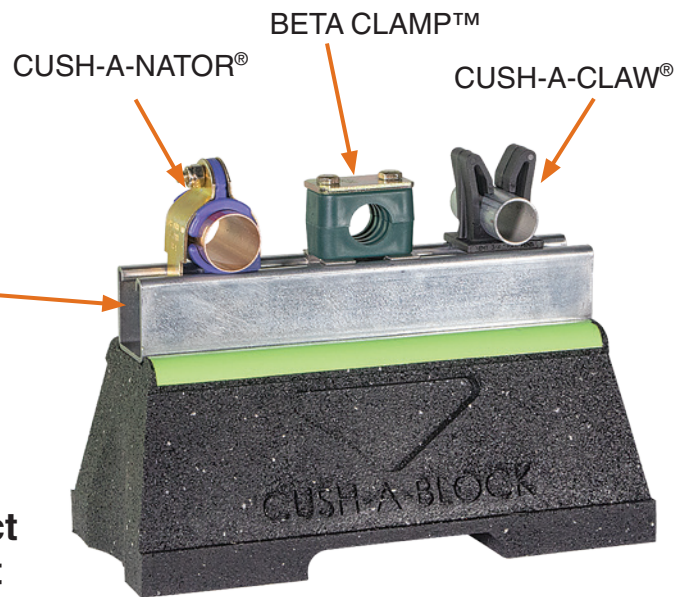
MECHANICAL BLOCK



PRE-CUT & HOLE PUNCHED STRUT FOR THE CUSH-A-BLOCK



HVAC BLOCK



HYDRAULIC BLOCK

Refer to our ZSi® and Wesanco® Product Catalogs for Strut and Accessories that can be used with the Cush-A-Block®

DISTRIBUTED BY:



ZSi-Foster

45065 Michigan Ave.
Canton, MI 48188
Tel: (734) 844-0055
Tel: (800) 323-7053
Fax: (734) 844-0066

www.zsi-foster.com